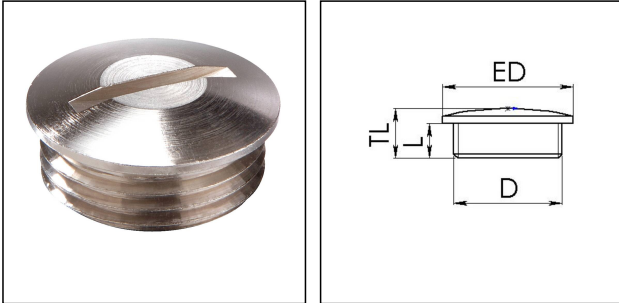


MVS 48

Stop end, brass nickel-plated, Pg48



Products may differ in size, colour and appearance to those shown. If you require further information or customisation, please contact us directly.



Material	Brass nickel-plated
Surface	Nickel-plated
Temp. range min	-200 °C
Temp. range max	250 °C
Protection class	IP54
Thread type	PG
Ø Connection thread D	48
Length screw-in thread L	10 mm
External diameter ED	64 mm
Total length TL	14,5 mm
Advice	with O-ring IP66/IP68
Order no. nickel-plated	10062160
Type	MVS 48
Packing unit	25
EAN number	4007685621601
Tariff number	74198090
ETIM-Classification	EC000032

Recommended accessories

MMU 48	10062150
ORD-E PG48	10104458

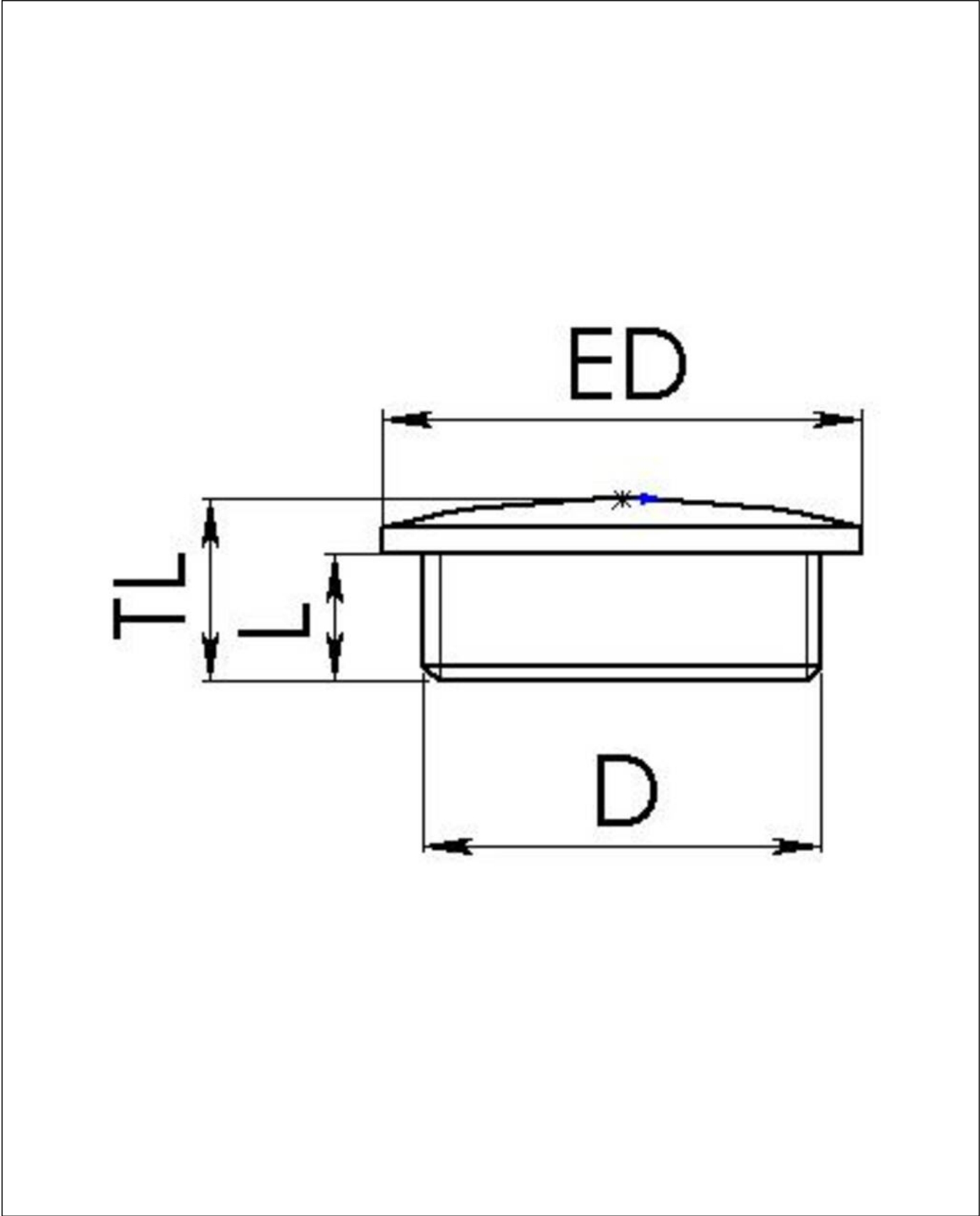
23.05.2026

Your Contact:

WISKA India Pvt. Ltd.

Mr. Omkar Ashar · Unit No.247/248,Raheja Tesla Industrial District II , Edison Bldg No.-1A,
Plot No.GEN2/1/C/PART, TTC Industrial Area, MIDC, Juinagar, Navi Mumbai 400705, India

+91-22-4967-1438 · +91-22-4967-1439 · o.ashar@wiska.in · www.wiska.in



Your Contact:

WISKA India Pvt. Ltd.

Mr. Omkar Ashar · Unit No.247/248,Raheja Tesla Industrial District II , Edison Bldg No.-1A,
Plot No.GEN2/1/C/PART, TTC Industrial Area, MIDC, Juinagar, Navi Mumbai 400705, India

☎ +91-22-4967-1438 · ☎ +91-22-4967-1439 · o.ashar@wiska.in · www.wiska.in