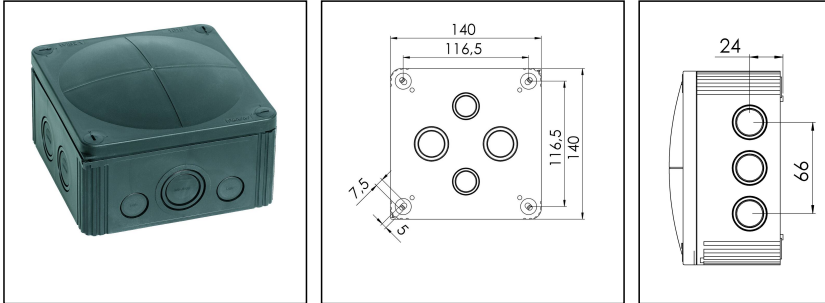



COMBI 1010 BK

Junction box 140x140x82mm, polypropylene, RAL 9005



Products may differ in size, colour and appearance to those shown. If you require further information or customisation, please contact us directly.



| | |
|-------------------------------------|---|
| Material | Polypropylene |
| Material sealing gasket | TPE |
| Temp. range min | -30 °C |
| Temp. range max | 100 °C |
| Temperatures during install. | -5 °C - 60 °C |
| Protection class | IP66 / IP67 |
| Glow wire test | 750 °C |
| Voltage | 690 V |
| Rated cross section | 10 mm ² |
| Fixing | 4 internal openings |
| Ø cable diameter min | 6 mm |
| Ø cable diameter max | 21 mm |
| External dimensions LxWxH | 140 x 140 x 82mm |
| Using for cable gland |  |
| Product Color | RAL 9005 |
| WISKA-Order no. | 10062214 |
| Type | COMBI 1010 BK |
| Packing unit | 2 |
| ETIM-Classification | EC002600 |
| EAN number | 4007685622141 |
| Tariff number | 39269097 |

Remarks:

IP66: using the QUIXX self sealing membrane screw

IP67: using the knockout entry together with ESKV cable gland

Your Contact:

WISKA India Pvt. Ltd.

Mr. Omkar Ashar · Unit No.247/248,Raheja Tesla Industrial District II , Edison Bldg No.-1A,
Plot No.GEN2/1/C/PART, TTC Industrial Area, MIDC, Juinagar, Navi Mumbai 400705, India

☎ +91-22-4967-1438 · ☎ +91-22-4967-1439 · o.ashar@wiska.in · www.wiska.in

Equipment:

- 10 knockouts side 5x M25/M32; 2x M20; 3x M20/M25
- 4 knockouts in the bottom 2x M25/M32; 2x M20/M25
- 4 captive cover screws
- including QUIXX EMS self-sealing membrane screw 2x M25; 1x M32

Mounting:

4 internal openings outside of the sealing area

Recommended accessories

| | |
|---------------------------------------|----------|
| DIN Rail Kit - COMBI 1010/TS35 | 10060363 |
| MP-L Mounting plate large COMBI / WHK | 10105775 |
| External mounting - COMBI LG | 10108836 |
| SP-HKT 1010 Terminal block | 22000408 |

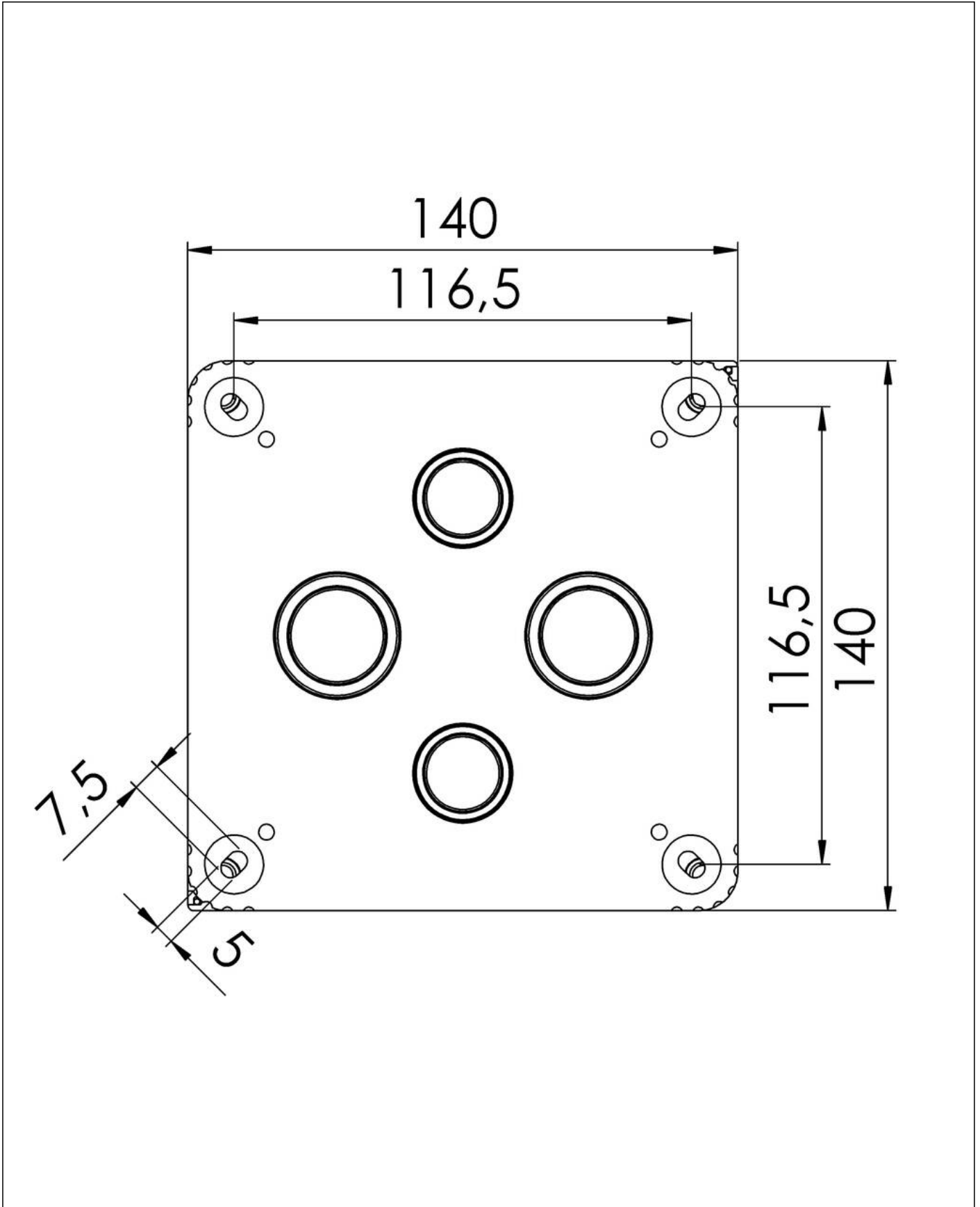
07.07.2026

Your Contact:

WISKA India Pvt. Ltd.

Mr. Omkar Ashar · Unit No.247/248,Raheja Tesla Industrial District II , Edison Bldg No.-1A,
Plot No.GEN2/1/C/PART, TTC Industrial Area, MIDC, Juinagar, Navi Mumbai 400705, India

☎ +91-22-4967-1438 · ☎ +91-22-4967-1439 · o.ashar@wiska.in · www.wiska.in

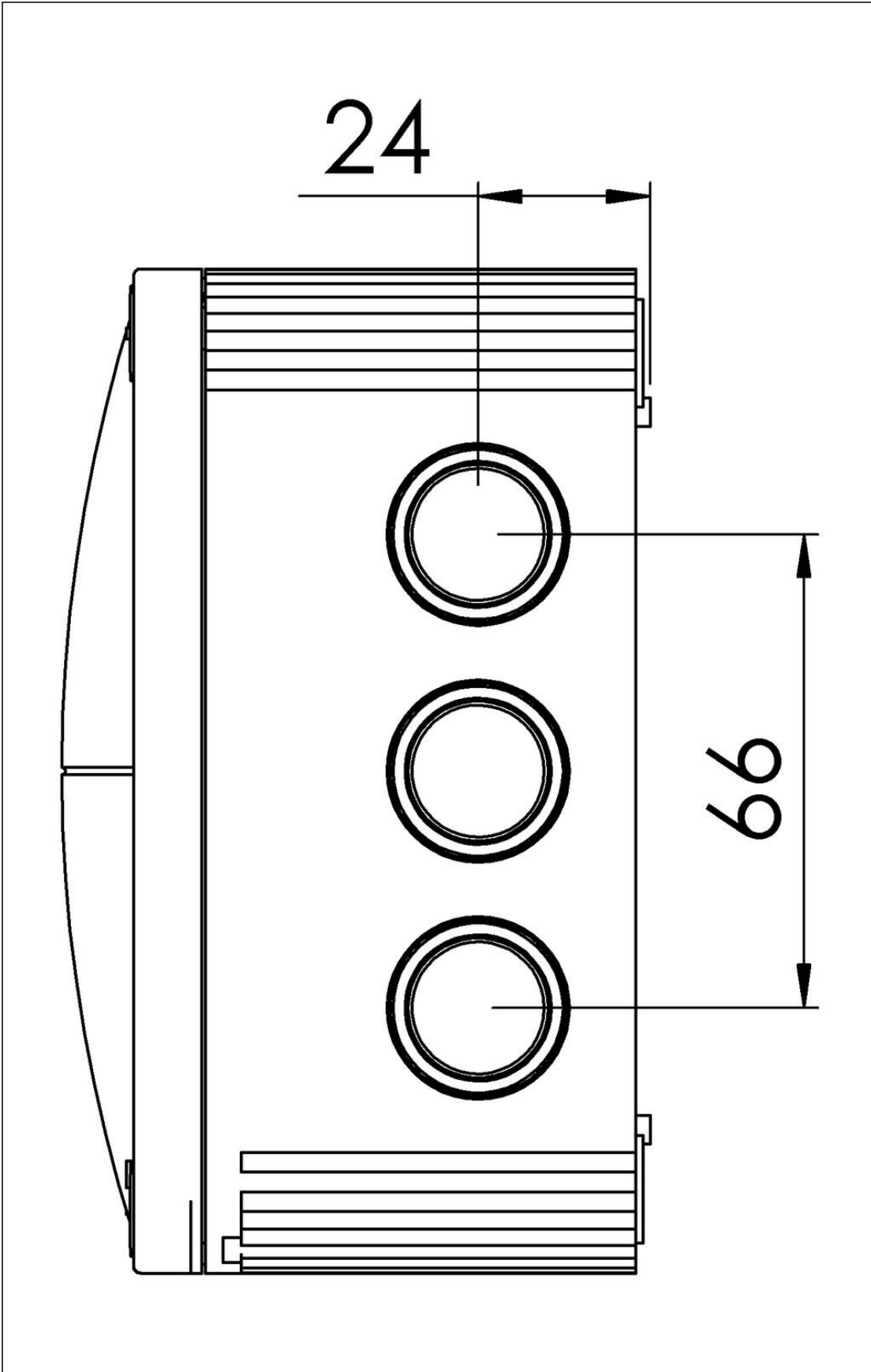


Your Contact:

WISKA India Pvt. Ltd.

Mr. Omkar Ashar · Unit No.247/248, Raheja Tesla Industrial District II , Edison Bldg No.-1A,
Plot No.GEN2/1/C/PART, TTC Industrial Area, MIDC, Juinagar, Navi Mumbai 400705, India

☎ +91-22-4967-1438 · ☎ +91-22-4967-1439 · o.ashar@wiska.in · www.wiska.in



Your Contact:

WISKA India Pvt. Ltd.

Mr. Omkar Ashar · Unit No.247/248,Raheja Tesla Industrial District II , Edison Bldg No.-1A,
Plot No.GEN2/1/C/PART, TTC Industrial Area, MIDC, Juinagar, Navi Mumbai 400705, India

☎ +91-22-4967-1438 · ☎ +91-22-4967-1439 · o.ashar@wiska.in · www.wiska.in

Other technical data on request / subject to change without notice