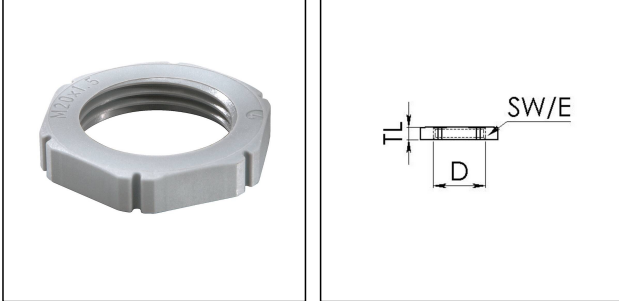


EMUG 12 SG

Locknut, polyamide, RAL 7001, M12



Products may differ in size, colour and appearance to those shown. If you require further information or customisation, please contact us directly.



Material	Polyamide, fibre reinforced
Temp. range min	-40 °C
Temp. range max	100 °C
Glow wire test	650 °C
Thread type	M
Ø Connection thread D	12
Lead	1,5
Total length TL	5 mm
Key width SW	18 mm
Collar diameter (E)	20 mm
Product Color	RAL 7001
Order no. RAL 7001	10062712
Type	EMUG 12 SG
Packing unit	100
EAN number	4007685627122
Tariff number	39269097
ETIM-Classification	EC000940

23.05.2026

Your Contact:

WISKA India Pvt. Ltd.

Mr. Omkar Ashar · Unit No.247/248,Raheja Tesla Industrial District II , Edison Bldg No.-1A,
Plot No.GEN2/1/C/PART, TTC Industrial Area, MIDC, Juinagar, Navi Mumbai 400705, India

☎ +91-22-4967-1438 · ☎ +91-22-4967-1439 · o.ashar@wiska.in · www.wiska.in



Your Contact:

WISKA India Pvt. Ltd.

Mr. Omkar Ashar · Unit No.247/248,Raheja Tesla Industrial District II , Edison Bldg No.-1A,
Plot No.GEN2/1/C/PART, TTC Industrial Area, MIDC, Juinagar, Navi Mumbai 400705, India

☎ +91-22-4967-1438 · ☎ +91-22-4967-1439 · o.ashar@wiska.in · www.wiska.in