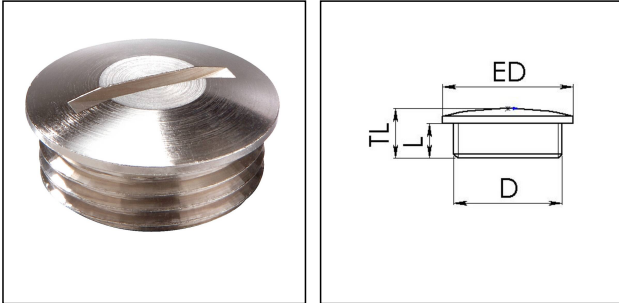


## EMVS 63

Stop end, brass nickel-plated, M63



Products may differ in size, colour and appearance to those shown. If you require further information or customisation, please contact us directly.



<b>Material</b>	Brass nickel-plated
<b>Surface</b>	Nickel-plated
<b>Temp. range min</b>	-200 °C
<b>Temp. range max</b>	250 °C
<b>Protection class</b>	IP54
<b>Thread type</b>	M
<b>Ø Connection thread D</b>	63
<b>Lead</b>	1,5
<b>Length screw-in thread L</b>	10 mm
<b>External diameter ED</b>	67 mm
<b>Total length TL</b>	16 mm
<b>Advice</b>	with O-ring IP66/IP68
<b>Order no. nickel-plated</b>	10063158
<b>Type</b>	EMVS 63
<b>Packing unit</b>	10
<b>EAN number</b>	4007685631587
<b>Tariff number</b>	74198090
<b>ETIM-Classification</b>	EC000032

### Recommended accessories

<b>EMMU 63</b>	10063148
<b>ORD-E 63</b>	10064704

23.05.2026

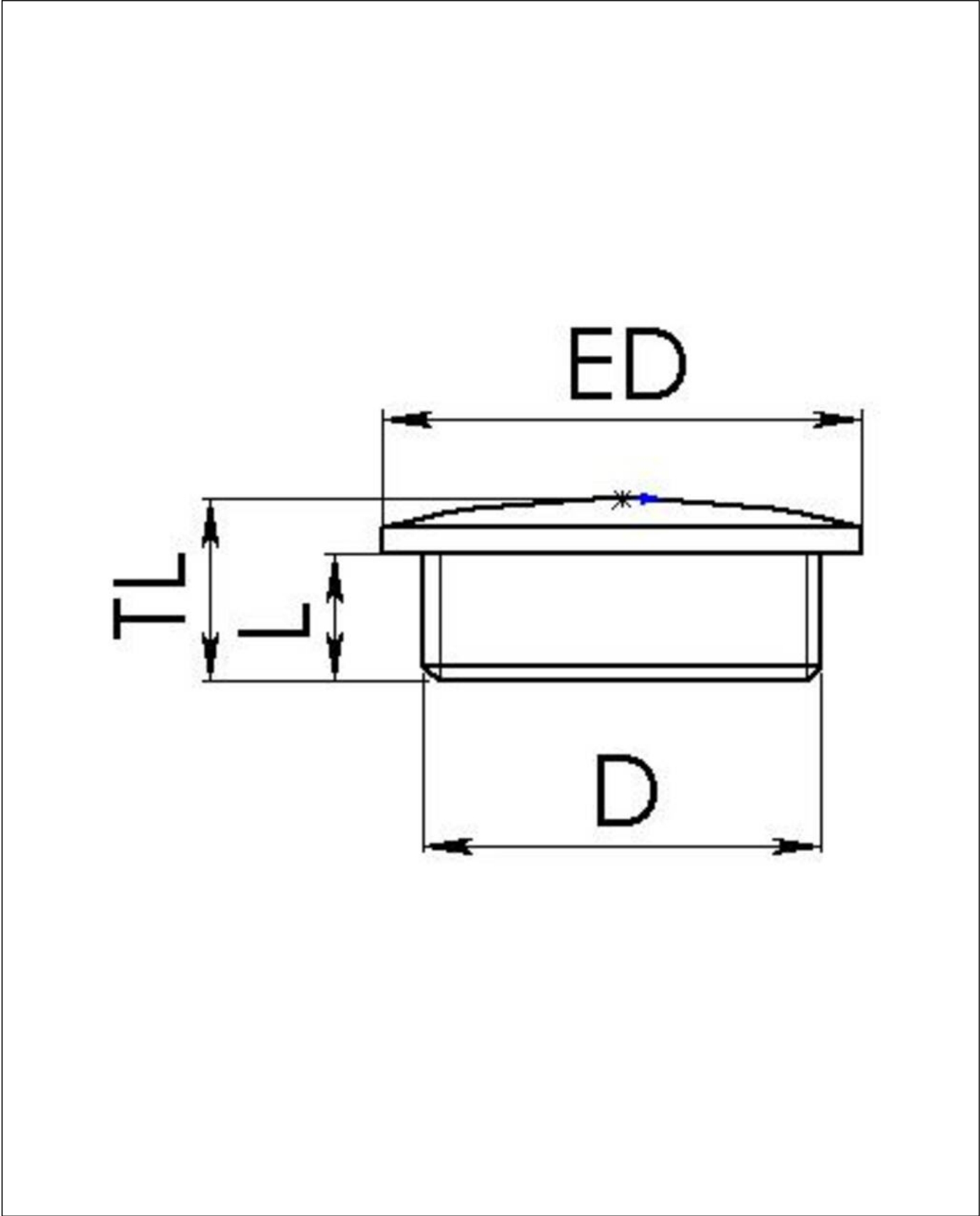
Your Contact:

WISKA India Pvt. Ltd.

Mr. Omkar Ashar · Unit No.247/248,Raheja Tesla Industrial District II , Edison Bldg No.-1A,  
 Plot No.GEN2/1/C/PART, TTC Industrial Area, MIDC, Juinagar, Navi Mumbai 400705, India

☎ +91-22-4967-1438 · ☎ +91-22-4967-1439 · o.ashar@wiska.in · www.wiska.in

1



Your Contact:

**WISKA India Pvt. Ltd.**

Mr. Omkar Ashar · Unit No.247/248,Raheja Tesla Industrial District II , Edison Bldg No.-1A,  
Plot No.GEN2/1/C/PART, TTC Industrial Area, MIDC, Juinagar, Navi Mumbai 400705, India

☎ +91-22-4967-1438 · ☎ +91-22-4967-1439 · o.ashar@wiska.in · www.wiska.in