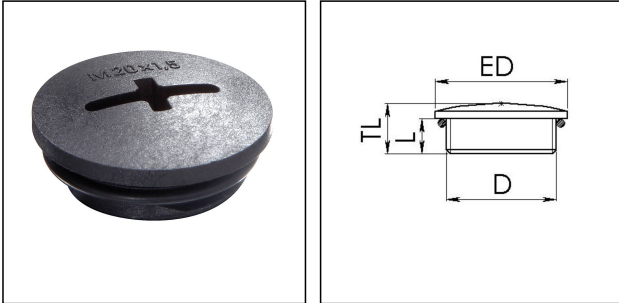


EVSG-ORD 20 BK

Stop end with mounted O-Ring, polyamide, RAL 9005, M20



Products may differ in size, colour and appearance to those shown. If you require further information or customisation, please contact us directly.



Material	Polyamide, fibre reinforced
Material sealing gasket	EPDM
Temp. range min	-40 °C
Temp. range max	100 °C
Glow wire test	650 °C
Protection class	IP66 / IP68 (5 bar 30 min)
Thread type	M
Ø Connection thread D	20
Lead	1,5
Length screw-in thread L	6 mm
Total length TL	9,5 mm
External diameter ED	24 mm
Product Color	RAL 9005
Order no. RAL 9005	10064644
Type	EVSG-ORD 20 BK
Packing unit	100
EAN number	4007685646444
Tariff number	39269097
ETIM-Classification	EC000032

Recommended accessories

EMUG 20 BK	10061782
-------------------	----------

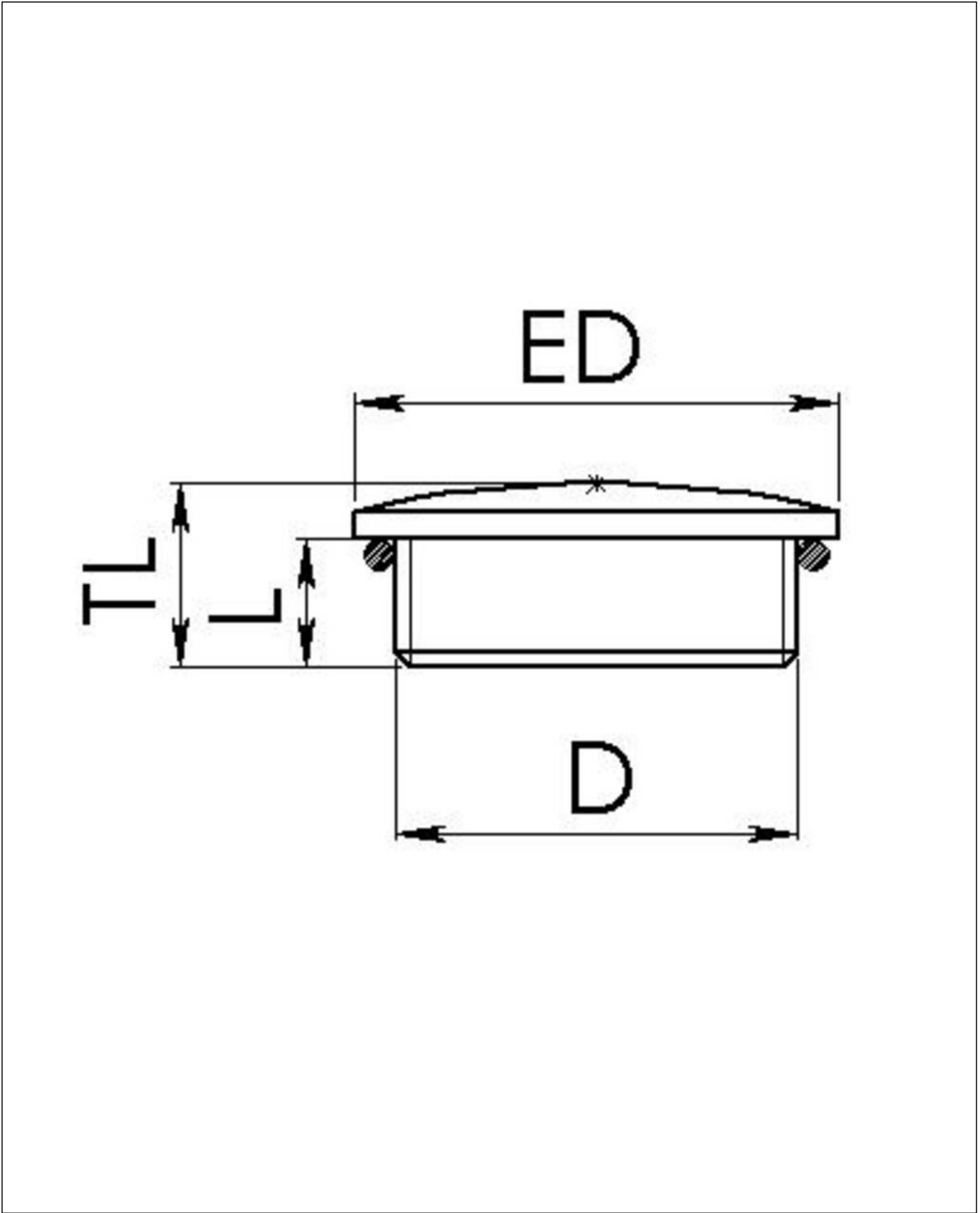
23.05.2026

Your Contact:

WISKA India Pvt. Ltd.

Mr. Omkar Ashar · Unit No.247/248,Raheja Tesla Industrial District II , Edison Bldg No.-1A,
 Plot No.GEN2/1/C/PART, TTC Industrial Area, MIDC, Juinagar, Navi Mumbai 400705, India

☎ +91-22-4967-1438 · ☎ +91-22-4967-1439 · o.ashar@wiska.in · www.wiska.in



Your Contact:

WISKA India Pvt. Ltd.

Mr. Omkar Ashar · Unit No.247/248,Raheja Tesla Industrial District II , Edison Bldg No.-1A,
Plot No.GEN2/1/C/PART, TTC Industrial Area, MIDC, Juinagar, Navi Mumbai 400705, India

☎ +91-22-4967-1438 · ☎ +91-22-4967-1439 · o.ashar@wiska.in · www.wiska.in