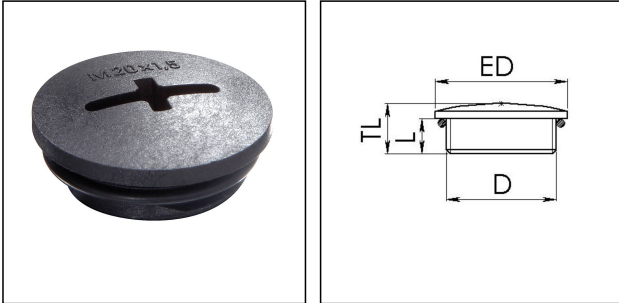


EVSG-ORD 50 BK

Stop end with mounted O-Ring, polyamide, RAL 9005, M50



Products may differ in size, colour and appearance to those shown. If you require further information or customisation, please contact us directly.



| | |
|---------------------------------|-----------------------------|
| Material | Polyamide, fibre reinforced |
| Material sealing gasket | EPDM |
| Temp. range min | -40 °C |
| Temp. range max | 100 °C |
| Glow wire test | 650 °C |
| Protection class | IP66 / IP68 (5 bar 30 min) |
| Thread type | M |
| Ø Connection thread D | 50 |
| Lead | 1,5 |
| Length screw-in thread L | 10 mm |
| Total length TL | 15 mm |
| External diameter ED | 56 mm |
| Product Color | RAL 9005 |
| Order no. RAL 9005 | 10064648 |
| Type | EVSG-ORD 50 BK |
| Packing unit | 50 |
| EAN number | 4007685646482 |
| Tariff number | 39269097 |
| ETIM-Classification | EC000032 |

Recommended accessories

| | |
|-------------------|----------|
| EMUG 50 BK | 10061786 |
|-------------------|----------|

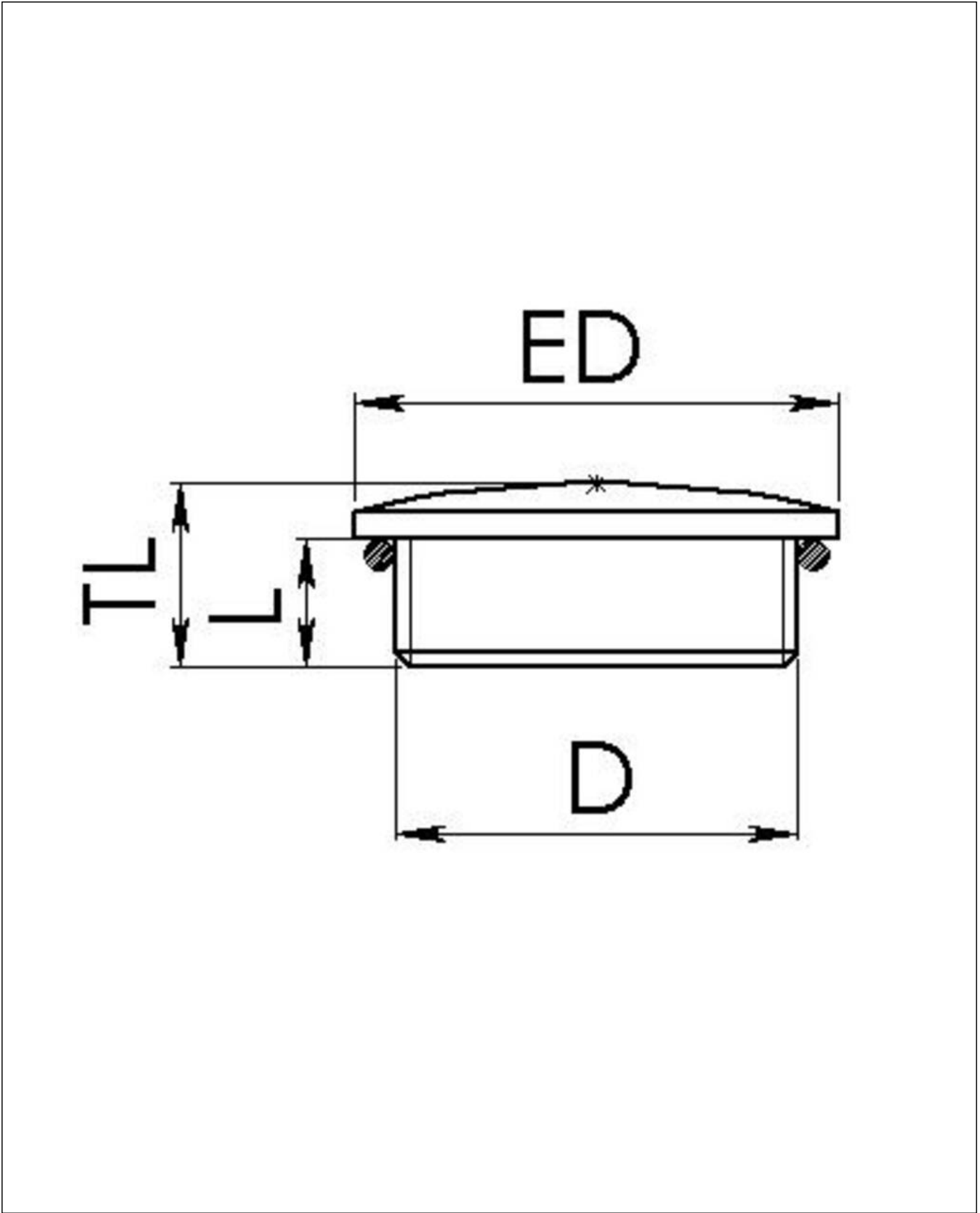
23.05.2026

Your Contact:

WISKA India Pvt. Ltd.

Mr. Omkar Ashar · Unit No.247/248,Raheja Tesla Industrial District II , Edison Bldg No.-1A,
Plot No.GEN2/1/C/PART, TTC Industrial Area, MIDC, Juinagar, Navi Mumbai 400705, India

☎ +91-22-4967-1438 · ☎ +91-22-4967-1439 · o.ashar@wiska.in · www.wiska.in



Your Contact:

WISKA India Pvt. Ltd.

Mr. Omkar Ashar · Unit No.247/248,Raheja Tesla Industrial District II , Edison Bldg No.-1A,
Plot No.GEN2/1/C/PART, TTC Industrial Area, MIDC, Juinagar, Navi Mumbai 400705, India

☎ +91-22-4967-1438 · ☎ +91-22-4967-1439 · o.ashar@wiska.in · www.wiska.in

Other technical data on request / subject to change without notice