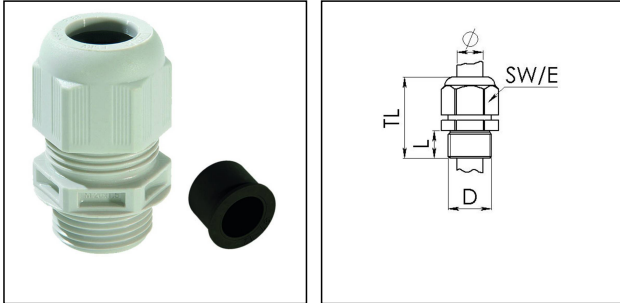


## ESKV-RDE 16

Cable gland with reduction sealing insert, polyamide, M16, RAL 7035



Product illustrations are exemplary and may differ from the chosen product. Further variants and individual customization, we will gladly provide you on request.



Material cable gland	Polyamide
Material sealing gasket	EPDM
Temp. range min	-40 °C
Temp. range max	100 °C
Protection class	IP69, IP68 (5 bar 30 min)
Thread type	M
Ø Connection thread D	16
Lead	1,5
Length screw-in thread L	9 mm
Ø cable diameter min	2 mm
Ø cable diameter max	10 mm
Key width SW	20 mm
Collar diameter (E)	22 mm
Total length TL	31 mm - 37 mm
Glow wire test	750 °C
Type of cable anchorage	A
Install. torques fitting	3,5 N m
Install. torques cap nut	1,5 N m
Impact category	3
Advice	With reduction insert
Product Color	RAL 7035
Order no. RAL 7035	10064977
Type	ESKV-RDE 16
Packing unit	50
ETIM-Classification	EC000441

Your Contact:

WISKA India Pvt. Ltd.

Mr. Omkar Ashar · 407, V Times Square, Plot No. - 3, Sector - 15, CBD Belapur · Navi Mumbai 400614, India

☎ +91 22/27566438 / 39 · 📠 +91 22/27566441

o.ashar@wiska.in · www.wiska.in

Recommended accessories



<b>EMUG 16</b>	10060771
<b>EADR 16</b>	10062802
<b>BS 6</b>	10064004

14.11.2018

Your Contact:

**WISKA India Pvt. Ltd.**

Mr. Omkar Ashar · 407, V Times Square, Plot No. - 3, Sector - 15, CBD Belapur · Navi Mumbai 400614, India

 +91 22/27566438 / 39 ·  +91 22/27566441

[o.ashar@wiska.in](mailto:o.ashar@wiska.in) · [www.wiska.in](http://www.wiska.in)



Your Contact:

**WISKA India Pvt. Ltd.**

Mr. Omkar Ashar · 407, V Times Square, Plot No. - 3, Sector - 15, CBD Belapur · Navi Mumbai 400614, India

☎ +91 22/27566438 / 39 · 📠 +91 22/27566441

o.ashar@wiska.in · www.wiska.in