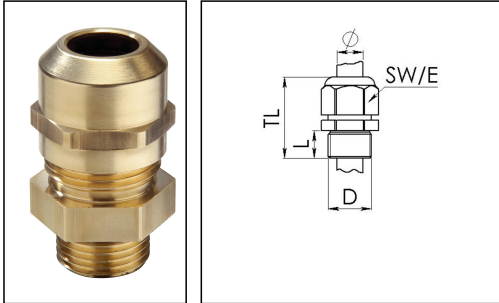


## MMSKV 24

Cable gland, brass DIN 89285, M24



Products may differ in size, colour and appearance to those shown. If you require further information or customisation, please contact us directly.



<b>Material cable gland</b>	Brass
<b>Material clamping cage</b>	Polyamide
<b>Material sealing gasket</b>	EPDM
<b>Temp. range min</b>	-40 °C
<b>Temp. range max</b>	100 °C
<b>Protection class</b>	IP68 (5 bar 30 min), IP69
<b>Thread type</b>	M
<b>Ø Connection thread D</b>	24
<b>Lead</b>	1,5
<b>Length screw-in thread L</b>	11 mm
<b>Ø cable diameter min</b>	9 mm
<b>Ø cable diameter max</b>	17 mm
<b>Key width SW</b>	29 mm
<b>Collar diameter (E)</b>	32 mm
<b>Total length TL</b>	37 mm - 46 mm
<b>Type of cable anchorage</b>	A
<b>Install. torques fitting</b>	10 N m
<b>Install. torques cap nut</b>	10 N m
<b>Impact category</b>	6
<b>Surface</b>	Bright
<b>Order no. bright</b>	10065103
<b>Type</b>	MMSKV 24
<b>Packing unit</b>	1
<b>Tariff number</b>	74198090
<b>EAN number</b>	4007685651035

Your Contact:

WISKA India Pvt. Ltd.

Mr. Omkar Ashar · Unit No.247/248, Raheja Tesla Industrial District II , Edison Bldg No.-1A,  
Plot No.GEN2/1/C/PART, TTC Industrial Area, MIDC, Juinagar, Navi Mumbai 400705, India

☎ +91-22-4967-1438 · ☎ +91-22-4967-1439 · o.ashar@wiska.in · www.wiska.in

**ETIM-Classification**

EC000441

**Recommended accessories**

<b>MFD 25/02/060</b>	10060452
<b>RDE 25</b>	10060768
<b>MFD 25/02/080</b>	10060952
<b>MFD 25/01/065</b>	10060954
<b>MFD 25/02/070</b>	10063995
<b>MFD 25/03/070</b>	10064342
<b>MFD 25/04/060</b>	10064343
<b>MFD 25/01/090</b>	10101016
<b>MFD 25/01/105-01/055</b>	10101255
<b>MFD 25/05/056</b>	10102023
<b>GM 24</b>	50011420

27.06.2026

Your Contact:

**WISKA India Pvt. Ltd.**

Mr. Omkar Ashar · Unit No.247/248,Raheja Tesla Industrial District II , Edison Bldg No.-1A,  
Plot No.GEN2/1/C/PART, TTC Industrial Area, MIDC, Juinagar, Navi Mumbai 400705, India

☎ +91-22-4967-1438 · ☎ +91-22-4967-1439 · o.ashar@wiska.in · www.wiska.in



Your Contact:

**WISKA India Pvt. Ltd.**

Mr. Omkar Ashar · Unit No.247/248,Raheja Tesla Industrial District II , Edison Bldg No.-1A,  
Plot No.GEN2/1/C/PART, TTC Industrial Area, MIDC, Juinagar, Navi Mumbai 400705, India

☎ +91-22-4967-1438 · ☎ +91-22-4967-1439 · o.ashar@wiska.in · www.wiska.in