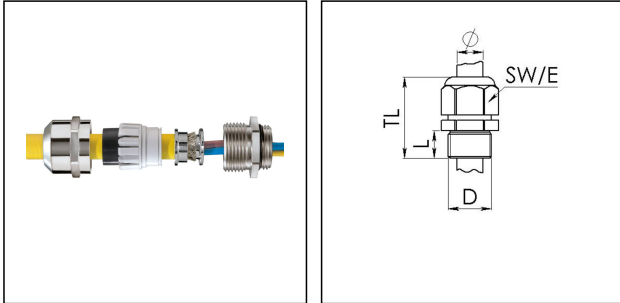


## MMSKV 18 EMV-Z

Cable gland DIN 89285, brass, earthing cones DIN 89345, M18



Products may differ in size, colour and appearance to those shown. If you require further information or customisation, please contact us directly.



|                          |                           |
|--------------------------|---------------------------|
| Material cable gland     | Brass                     |
| Material clamping cage   | Polyamide                 |
| Material sealing gasket  | EPDM                      |
| Material earthing insert | Brass chromium-plated     |
| Temp. range min          | -40 °C                    |
| Temp. range max          | 100 °C                    |
| Protection class         | IP68 (5 bar 30 min), IP69 |
| Thread type              | M                         |
| Ø Connection thread D    | 18                        |
| Lead                     | 1,5                       |
| Length screw-in thread L | 10 mm                     |
| Ø cable diameter min     | 6 mm                      |
| Ø cable diameter max     | 13 mm                     |
| Key width SW             | 24 mm                     |
| Total length TL          | 33 mm - 41 mm             |
| Type of cable anchorage  | A                         |
| Install. torques fitting | 8 N m                     |
| Install. torques cap nut | 8 N m                     |
| Impact category          | 6                         |
| Surface                  | Bright                    |
| Order no. bright         | 10065123                  |
| Type                     | MMSKV 18 EMV-Z            |
| Packing unit             | 1                         |
| Tariff number            | 85369010                  |
| EAN number               | 4007685651233             |

Your Contact:

WISKA India Pvt. Ltd.

Mr. Omkar Ashar · Unit No.247/248,Raheja Tesla Industrial District II , Edison Bldg No.-1A,  
Plot No.GEN2/1/C/PART, TTC Industrial Area, MIDC, Juinagar, Navi Mumbai 400705, India

☎ +91-22-4967-1438 · ☎ +91-22-4967-1439 · o.ashar@wiska.in · www.wiska.in

ETIM-Classification

EC000441

## Recommended accessories

|               |          |
|---------------|----------|
| MFD 20/02/065 | 10060953 |
| RDE 20        | 10062185 |
| BS 13         | 10064010 |
| MFD 20/03/040 | 10064341 |
| MFD 20/02/060 | 10064395 |
| MFD 20/02/050 | 10101015 |
| MFD 20/03/045 | 10102306 |
| GM 18         | 50011419 |

27.06.2026

Your Contact:

**WISKA India Pvt. Ltd.**

Mr. Omkar Ashar · Unit No.247/248,Raheja Tesla Industrial District II , Edison Bldg No.-1A,  
Plot No.GEN2/1/C/PART, TTC Industrial Area, MIDC, Juinagar, Navi Mumbai 400705, India

☎ +91-22-4967-1438 · ☎ +91-22-4967-1439 · o.ashar@wiska.in · www.wiska.in



Your Contact:

**WISKA India Pvt. Ltd.**

Mr. Omkar Ashar · Unit No.247/248,Raheja Tesla Industrial District II , Edison Bldg No.-1A,  
Plot No.GEN2/1/C/PART, TTC Industrial Area, MIDC, Juinagar, Navi Mumbai 400705, India

☎ +91-22-4967-1438 · ☎ +91-22-4967-1439 · o.ashar@wiska.in · www.wiska.in

Other technical data on request / subject to change without notice