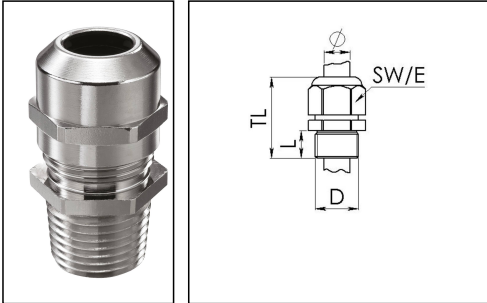


## NMSKV 1/4

Cable gland, brass nickel-plated, NPT 1/4"



Products may differ in size, colour and appearance to those shown. If you require further information or customisation, please contact us directly.



<b>Material cable gland</b>	Brass nickel-plated
<b>Material clamping cage</b>	Polyamide
<b>Material sealing gasket</b>	EPDM
<b>Temp. range min</b>	-40 °C
<b>Temp. range max</b>	100 °C
<b>Protection class</b>	IP69, IP68 (5 bar 30 min)
<b>Thread type</b>	NPT
<b>Ø Connection thread D</b>	1/4"
<b>Length screw-in thread L</b>	13 mm
<b>Ø cable diameter min</b>	3 mm
<b>Ø cable diameter max</b>	7 mm
<b>Key width SW</b>	16 mm
<b>Collar diameter (E)</b>	18 mm
<b>Total length TL</b>	33 mm - 40 mm
<b>Type of cable anchorage</b>	A
<b>Install. torques fitting</b>	4 N m
<b>Install. torques cap nut</b>	4 N m
<b>Impact category</b>	6
<b>Surface</b>	Nickel-plated
<b>Order no. nickel-plated</b>	10065480
<b>Packing unit</b>	50
<b>Type</b>	NMSKV 1/4
<b>Tariff number</b>	74198090
<b>EAN number</b>	4007685654807
<b>ETIM-Classification</b>	EC000441

Your Contact:

WISKA India Pvt. Ltd.

Mr. Omkar Ashar · Unit No.247/248,Raheja Tesla Industrial District II , Edison Bldg No.-1A,  
Plot No.GEN2/1/C/PART, TTC Industrial Area, MIDC, Juinagar, Navi Mumbai 400705, India

☎ +91-22-4967-1438 · ☎ +91-22-4967-1439 · o.ashar@wiska.in · www.wiska.in

**Remarks:**

When using a locknut NMMU, an additional connection thread gasket ADR must be used to achieve protection class IP69 / IP68.

**Recommended accessories**

<b>ADR 7</b>	10061419
<b>RDE 12</b>	10062183
<b>BS 7</b>	10064005
<b>MFD 12/04/020</b>	10064392
<b>MFD 12/02/020</b>	10100525
<b>NMMU 1/4</b>	10100972

12.05.2026

**Your Contact:**

**WISKA India Pvt. Ltd.**

Mr. Omkar Ashar · Unit No.247/248,Raheja Tesla Industrial District II , Edison Bldg No.-1A,  
Plot No.GEN2/1/C/PART, TTC Industrial Area, MIDC, Juinagar, Navi Mumbai 400705, India

☎ +91-22-4967-1438 · ☎ +91-22-4967-1439 · o.ashar@wiska.in · www.wiska.in



Your Contact:

**WISKA India Pvt. Ltd.**

Mr. Omkar Ashar · Unit No.247/248,Raheja Tesla Industrial District II , Edison Bldg No.-1A,  
Plot No.GEN2/1/C/PART, TTC Industrial Area, MIDC, Juinagar, Navi Mumbai 400705, India

☎ +91-22-4967-1438 · ☎ +91-22-4967-1439 · o.ashar@wiska.in · www.wiska.in

Other technical data on request / subject to change without notice