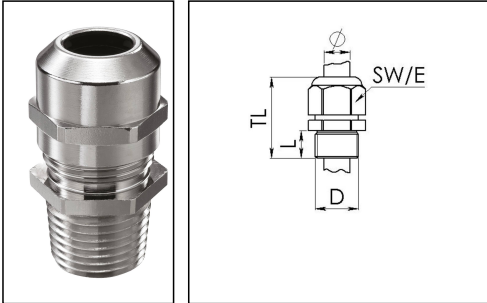


## NMSKV 2

Cable gland, brass nickel-plated, 2"



Products may differ in size, colour and appearance to those shown. If you require further information or customisation, please contact us directly.



<b>Material cable gland</b>	Brass nickel-plated
<b>Material clamping cage</b>	Polyamide
<b>Material sealing gasket</b>	EPDM
<b>Temp. range min</b>	-40 °C
<b>Temp. range max</b>	100 °C
<b>Protection class</b>	IP68 (5 bar 30 min), IP69
<b>Thread type</b>	NPT
<b>Ø Connection thread D</b>	2"
<b>Length screw-in thread L</b>	21 mm
<b>Ø cable diameter min</b>	34 mm
<b>Ø cable diameter max</b>	48 mm
<b>Key width SW</b>	68 mm
<b>Collar diameter (E)</b>	75 mm
<b>Total length TL</b>	56 mm - 67 mm
<b>Type of cable anchorage</b>	A
<b>Install. torques fitting</b>	40 N m
<b>Install. torques cap nut</b>	40 N m
<b>Impact category</b>	6
<b>Surface</b>	Nickel-plated
<b>Order no. nickel-plated</b>	10065487
<b>Packing unit</b>	10
<b>Type</b>	NMSKV 2
<b>Tariff number</b>	74198090
<b>EAN number</b>	4007685654876
<b>ETIM-Classification</b>	EC000441

Your Contact:

WISKA India Pvt. Ltd.

Mr. Omkar Ashar · Unit No.247/248,Raheja Tesla Industrial District II , Edison Bldg No.-1A,  
Plot No.GEN2/1/C/PART, TTC Industrial Area, MIDC, Juinagar, Navi Mumbai 400705, India

☎ +91-22-4967-1438 · ☎ +91-22-4967-1439 · o.ashar@wiska.in · www.wiska.in

**Remarks:**

When using a locknut NMMU, an additional connection thread gasket ADR must be used to achieve protection class IP69 / IP68.

**Recommended accessories**

<b>ADR 48</b>	10061428
<b>RDE 63</b>	10062189
<b>BS 48</b>	10064019
<b>NMMU 2</b>	10100979
<b>MFD 63/01/131-01/118-03/084-02/064</b>	10101114
<b>MFD 63/03/065</b>	10101201
<b>MFD 63/02/065-01/090</b>	10101223

12.05.2026

**Your Contact:**

**WISKA India Pvt. Ltd.**

Mr. Omkar Ashar · Unit No.247/248,Raheja Tesla Industrial District II , Edison Bldg No.-1A,  
Plot No.GEN2/1/C/PART, TTC Industrial Area, MIDC, Juinagar, Navi Mumbai 400705, India

☎ +91-22-4967-1438 · ☎ +91-22-4967-1439 · o.ashar@wiska.in · www.wiska.in



Your Contact:

**WISKA India Pvt. Ltd.**

Mr. Omkar Ashar · Unit No.247/248,Raheja Tesla Industrial District II , Edison Bldg No.-1A,  
Plot No.GEN2/1/C/PART, TTC Industrial Area, MIDC, Juinagar, Navi Mumbai 400705, India

☎ +91-22-4967-1438 · ☎ +91-22-4967-1439 · o.ashar@wiska.in · www.wiska.in

Other technical data on request / subject to change without notice