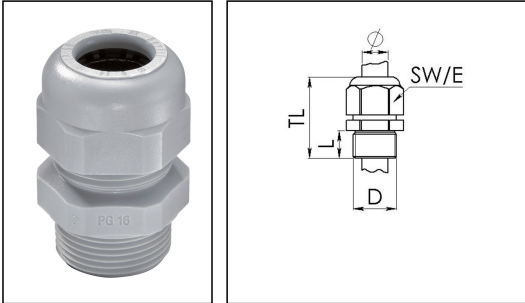


## SKV 9 SG

Cable gland, polyamide, Pg 9, RAL 7001



Products may differ in size, colour and appearance to those shown. If you require further information or customisation, please contact us directly.



<b>Material cable gland</b>	Polyamide
<b>Material sealing gasket</b>	EPDM
<b>Protection class</b>	IP68 (5 bar 30 min)
<b>Temp. range min</b>	-40 °C
<b>Temp. range max</b>	100 °C
<b>Glow wire test</b>	750 °C
<b>Thread type</b>	PG
<b>Ø Connection thread D</b>	9
<b>Length screw-in thread L</b>	9 mm
<b>Ø cable diameter min</b>	4 mm
<b>Ø cable diameter max</b>	8 mm
<b>Key width SW</b>	19 mm
<b>Collar diameter (E)</b>	21 mm
<b>Total length TL</b>	32 mm - 36 mm
<b>Type of cable anchorage</b>	A
<b>Install. torques fitting</b>	3,8 N m
<b>Install. torques cap nut</b>	2,5 N m
<b>Product Color</b>	RAL 7001
<b>Type</b>	SKV 9 SG
<b>Order no. RAL 7001</b>	10066002
<b>Packing unit</b>	50
<b>EAN number</b>	4007685660020
<b>Tariff number</b>	39269097
<b>ETIM-Classification</b>	EC000441

Your Contact:

WISKA India Pvt. Ltd.

Mr. Omkar Ashar · Unit No.247/248,Raheja Tesla Industrial District II , Edison Bldg No.-1A,  
Plot No.GEN2/1/C/PART, TTC Industrial Area, MIDC, Juinagar, Navi Mumbai 400705, India

☎ +91-22-4967-1438 · ☎ +91-22-4967-1439 · o.ashar@wiska.in · www.wiska.in

**Recommended accessories**

<b>ADR 9</b>	10061420
<b>BS 8</b>	10064006

27.06.2026

Your Contact:

**WISKA India Pvt. Ltd.**

Mr. Omkar Ashar · Unit No.247/248,Raheja Tesla Industrial District II , Edison Bldg No.-1A,  
Plot No.GEN2/1/C/PART, TTC Industrial Area, MIDC, Juinagar, Navi Mumbai 400705, India

☎ +91-22-4967-1438 · ☎ +91-22-4967-1439 · o.ashar@wiska.in · www.wiska.in



Your Contact:

**WISKA India Pvt. Ltd.**

Mr. Omkar Ashar · Unit No.247/248,Raheja Tesla Industrial District II , Edison Bldg No.-1A,  
Plot No.GEN2/1/C/PART, TTC Industrial Area, MIDC, Juinagar, Navi Mumbai 400705, India

☎ +91-22-4967-1438 · ☎ +91-22-4967-1439 · o.ashar@wiska.in · www.wiska.in

Other technical data on request / subject to change without notice