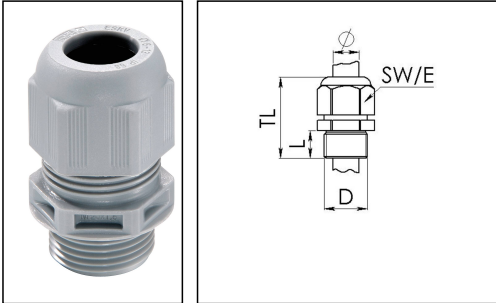


ESKV 50 SG

Cable gland, polyamide, M50, RAL 7001 with short thread



Products may differ in size, colour and appearance to those shown. If you require further information or customisation, please contact us directly.



| | |
|---------------------------------|--------------------------------|
| Material cable gland | Polyamide |
| Material sealing gasket | EPDM |
| Protection class | IP69, IP68 (5 bar 30 min) |
| Temp. range min | -40 °C |
| Temp. range max | 100 °C |
| Glow wire test | 750 °C |
| Thread type | M |
| Ø Connection thread D | 50 |
| Lead | 1,5 |
| Length screw-in thread L | 14 mm |
| Ø cable diameter min | 21 mm |
| Ø cable diameter max | 35 mm |
| Key width SW | 55 mm |
| Collar diameter (E) | 61 mm |
| Total length TL | 59 mm - 72 mm |
| Type of cable anchorage | A |
| Install. torques fitting | 30 N m |
| Install. torques cap nut | 30 N m |
| Impact category | 5 |
| Equipment | Incl. connection thread gasket |
| Product Color | RAL 7001 |
| Type | ESKV 50 SG |
| Order no. RAL 7001 | 10066386 |
| Packing unit | 4 |
| EAN number | 4007685663861 |

Your Contact:

WISKA India Pvt. Ltd.

Mr. Omkar Ashar · Unit No.247/248,Raheja Tesla Industrial District II , Edison Bldg No.-1A,
Plot No.GEN2/1/C/PART, TTC Industrial Area, MIDC, Juinagar, Navi Mumbai 400705, India

☎ +91-22-4967-1438 · ☎ +91-22-4967-1439 · o.ashar@wiska.in · www.wiska.in

| | |
|----------------------------|----------|
| Tariff number | 39269097 |
| ETIM-Classification | EC000441 |

Recommended accessories

| | |
|----------------------|----------|
| RDE 50 | 10062188 |
| EMUG 50 SG | 10062718 |
| MFD 50/25/050 | 10063102 |
| BS 35 | 10064017 |
| MFD 50/09/080 | 10064394 |

12.05.2026

Your Contact:

WISKA India Pvt. Ltd.

Mr. Omkar Ashar · Unit No.247/248,Raheja Tesla Industrial District II , Edison Bldg No.-1A,
Plot No.GEN2/1/C/PART, TTC Industrial Area, MIDC, Juinagar, Navi Mumbai 400705, India

☎ +91-22-4967-1438 · ☎ +91-22-4967-1439 · o.ashar@wiska.in · www.wiska.in



Your Contact:

WISKA India Pvt. Ltd.

Mr. Omkar Ashar · Unit No.247/248,Raheja Tesla Industrial District II , Edison Bldg No.-1A,
Plot No.GEN2/1/C/PART, TTC Industrial Area, MIDC, Juinagar, Navi Mumbai 400705, India

☎ +91-22-4967-1438 · ☎ +91-22-4967-1439 · o.ashar@wiska.in · www.wiska.in

Other technical data on request / subject to change without notice