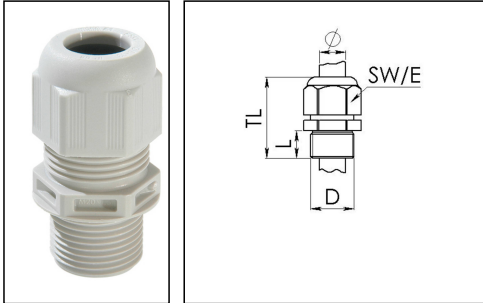


ESKV-L 12

Cable gland, polyamide, M12, RAL 7035 with long thread



Product illustrations are exemplary and may differ from the chosen product. Further variants and individual customization, we will gladly provide you on request.



Material cable gland	Polyamide
Material sealing gasket	EPDM
Protection class	IP69, IP68 (5 bar 30 min)
Temp. range min	-40 °C
Temp. range max	100 °C
Glow wire test	750 °C
Thread type	M
Ø Connection thread D	12
Lead	1,5
Length screw-in thread L	15 mm
Ø cable diameter min	3 mm
Ø cable diameter max	7 mm
Ø cable diameter UL	4,1 mm - 6 mm
Key width SW	16 mm
Collar diameter (E)	18 mm
Total length TL	35 mm - 40 mm
Type of cable anchorage	A
Install. torques fitting	2 N m
Install. torques cap nut	2 N m
Impact category	2
Product Color	RAL 7035
Type	ESKV-L 12
Order no. RAL 7035	10066390
Packing unit	50
ETIM-Classification	EC000441

Recommended accessories

EMUG 12	10060770
RDE 12	10062183
EADR 12	10062801
BS 7	10064005
MFD 12/04/020	10064392
MFD 12/02/020	10100525

22.06.2018

