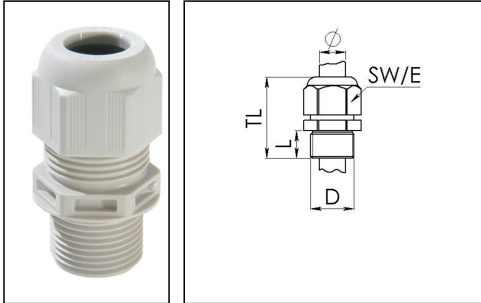


ESKV-L 32 LG

Cable gland, polyamide, M32, RAL 7035 with long thread



Products may differ in size, colour and appearance to those shown. If you require further information or customisation, please contact us directly.



| | |
|--------------------------------------|---------------------------|
| Material cable gland | Polyamide |
| Material sealing gasket | EPDM |
| Protection class | IP69, IP68 (5 bar 30 min) |
| Temp. range min | -40 °C |
| Temp. range max | 100 °C |
| Glow wire test | 750 °C |
| Thread type | M |
| Ø Connection thread D | 32 |
| Lead | 1,5 |
| Length screw-in thread L | 15 mm |
| Ø cable diameter min | 13 mm |
| Ø cable diameter max | 21 mm |
| Key width SW | 36 mm |
| Collar diameter (E) | 40 mm |
| Total length TL | 45 mm - 54 mm |
| Type of cable anchorage | A |
| Install. torques fitting | 15 N m |
| Install. torques fitting/EADR | 4 N m |
| Install. torques cap nut | 4 N m |
| Impact category | 4 |
| Product Color | RAL 7035 |
| Type | ESKV-L 32 LG |
| Order no. RAL 7035 | 10066394 |
| Packing unit | 25 |
| EAN number | 4007685663946 |

Your Contact:

WISKA India Pvt. Ltd.

Mr. Omkar Ashar · Unit No.247/248,Raheja Tesla Industrial District II , Edison Bldg No.-1A,
Plot No.GEN2/1/C/PART, TTC Industrial Area, MIDC, Juinagar, Navi Mumbai 400705, India

☎ +91-22-4967-1438 · ☎ +91-22-4967-1439 · o.ashar@wiska.in · www.wiska.in

| | |
|----------------------------|----------|
| Tariff number | 39269097 |
| ETIM-Classification | EC000441 |

Recommended accessories

| | |
|-----------------------------|----------|
| EMUG 32 LG | 10060774 |
| RDE 32 | 10062186 |
| EADR 32 | 10062805 |
| BS 21 | 10064014 |
| MFD 32/04/070 | 10064344 |
| MFD 32/06/060 | 10064345 |
| MFD 32/04/080 | 10064950 |
| MFD 32/03/080 | 10101018 |
| MFD 32/05/070 | 10101140 |
| MFD 32/01/115-01/085 | 10101256 |
| MFD 32/03/065 | 10102169 |
| MFD 32/03/090 | 10102170 |

12.05.2026

Your Contact:

WISKA India Pvt. Ltd.

Mr. Omkar Ashar · Unit No.247/248,Raheja Tesla Industrial District II , Edison Bldg No.-1A,
Plot No.GEN2/1/C/PART, TTC Industrial Area, MIDC, Juinagar, Navi Mumbai 400705, India

☎ +91-22-4967-1438 · ☎ +91-22-4967-1439 · o.ashar@wiska.in · www.wiska.in



Your Contact:

WISKA India Pvt. Ltd.

Mr. Omkar Ashar · Unit No.247/248,Raheja Tesla Industrial District II , Edison Bldg No.-1A,
Plot No.GEN2/1/C/PART, TTC Industrial Area, MIDC, Juinagar, Navi Mumbai 400705, India

☎ +91-22-4967-1438 · ☎ +91-22-4967-1439 · o.ashar@wiska.in · www.wiska.in

Other technical data on request / subject to change without notice