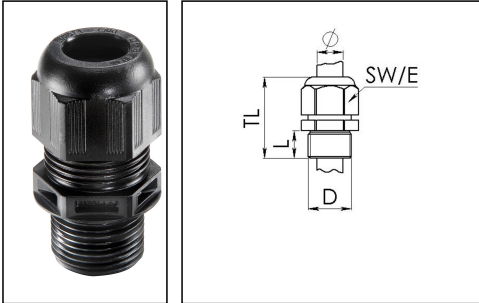


ESKV-L 16

Cable gland, polyamide, M16, RAL 9005 with long thread



Product illustrations are exemplary and may differ from the chosen product. Further variants and individual customization, we will gladly provide you on request.



Material cable gland	Polyamide
Material sealing gasket	EPDM
Protection class	IP69, IP68 (5 bar 30 min)
Temp. range min	-40 °C
Temp. range max	100 °C
Glow wire test	750 °C
Thread type	M
Ø Connection thread D	16
Lead	1,5
Length screw-in thread L	15 mm
Ø cable diameter min	4,5 mm
Ø cable diameter max	10 mm
Ø cable diameter UL	6 mm - 8,6 mm
Key width SW	20 mm
Collar diameter (E)	22 mm
Total length TL	37 mm - 43 mm
Type of cable anchorage	A
Install. torques fitting	3,5 N m
Install. torques cap nut	1,5 N m
Impact category	3
Product Color	RAL 9005
Type	ESKV-L 16
Order no. RAL 9005	10066501
Packing unit	50
ETIM-Classification	EC000441

Your Contact:

WISKA India Pvt. Ltd.

Mr. Omkar Ashar · 407, V Times Square, Plot No. - 3, Sector - 15, CBD Belapur · Navi Mumbai 400614, India

☎ +91 22/27566438 / 39 · 📠 +91 22/27566441

o.ashar@wiska.in · www.wiska.in

Recommended accessories

EMUG 16	10061781
RDE 16	10062184
EADR 16	10062802
BS 10	10064008
MFD 16/02/040	10064393
MFD 16/03/021	10101014

22.10.2018

Your Contact:

WISKA India Pvt. Ltd.

Mr. Omkar Ashar · 407, V Times Square, Plot No. - 3, Sector - 15, CBD Belapur · Navi Mumbai 400614, India

 +91 22/27566438 / 39 ·  +91 22/27566441

o.ashar@wiska.in · www.wiska.in



Your Contact:

WISKA India Pvt. Ltd.

Mr. Omkar Ashar · 407, V Times Square, Plot No. - 3, Sector - 15, CBD Belapur · Navi Mumbai 400614, India

☎ +91 22/27566438 / 39 · 📠 +91 22/27566441

o.ashar@wiska.in · www.wiska.in