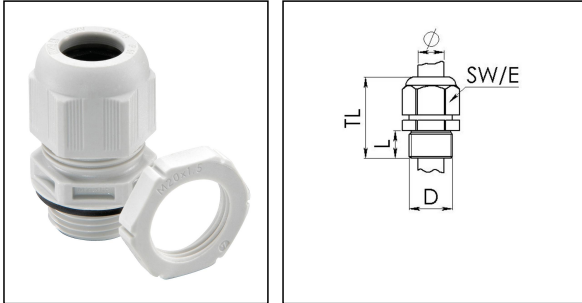


ESKV-SET 63

Cable gland with locknut, polyamide, M63, RAL 7035



Product illustrations are exemplary and may differ from the chosen product. Further variants and individual customization, we will gladly provide you on request.



| | |
|--------------------------|--------------------------------|
| Material cable gland | Polyamide |
| Material sealing gasket | EPDM |
| Temp. range min | -40 °C |
| Temp. range max | 100 °C |
| Protection class | IP69, IP68 (5 bar 30 min) |
| Thread type | M |
| Ø Connection thread D | 63 |
| Lead | 1,5 |
| Length screw-in thread L | 15 mm |
| Ø cable diameter min | 34 mm |
| Ø cable diameter max | 48 mm |
| Key width SW | 68 mm |
| Collar diameter (E) | 75 mm |
| Total length TL | 64 mm - 78 mm |
| Glow wire test | 750 °C |
| Type of cable anchorage | A |
| Install. torques fitting | 30 N m |
| Install. torques cap nut | 30 N m |
| Impact category | 5 |
| Equipment | Incl. connection thread gasket |
| Product Color | RAL 7035 |
| Order no. RAL 7035 | 10066531 |
| Type | ESKV-SET 63 |
| Packing unit | 3 |
| ETIM-Classification | EC000441 |

Recommended accessories

| | |
|---|----------|
| RDE 63 | 10062189 |
| BS 48 | 10064019 |
| MFD 63/01/131-01/118-03/084-02/064 | 10101114 |
| MFD 63/03/065 | 10101201 |
| MFD 63/02/065-01/090 | 10101223 |

19.06.2018

