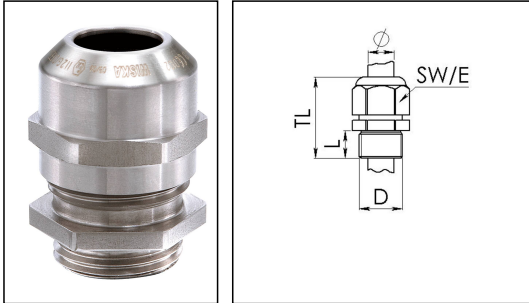


ESSKE 50

Ex-cable gland, stainless steel 1.4305, M50



Products may differ in size, colour and appearance to those shown. If you require further information or customisation, please contact us directly.



| | |
|--------------------------|-----------------------------|
| Material cable gland | Stainless steel A2 (1.4305) |
| Material clamping cage | Polyamide |
| Material sealing gasket | EPDM |
| Temp. range min | -40 °C |
| Temp. range max | 75 °C |
| Protection class | IP66 / IP68 (5 bar 30 min) |
| Type of protection | Ex tb, Ex eb |
| Ex-Certificate | ATEX, IECEx |
| Thread type | M |
| Ø Connection thread D | 50 |
| Lead | 1,5 |
| Length screw-in thread L | 9 mm |
| Ø cable diameter min | 21 mm |
| Ø cable diameter max | 35 mm |
| Key width SW | 55 mm |
| Collar diameter (E) | 61 mm |
| Total length TL | 51 mm - 62 mm |
| Install. torques fitting | 30 N m |
| Install. torques cap nut | 30 N m |
| WISKA-Order no. | 10069206 |
| Type | ESSKE 50 |
| Packing unit | 2 |
| Tariff number | 73269098 |
| EAN number | 4007685692069 |
| ETIM-Classification | EC000441 |

Your Contact:

WISKA India Pvt. Ltd.

Mr. Omkar Ashar · Unit No.247/248,Raheja Tesla Industrial District II , Edison Bldg No.-1A,
Plot No.GEN2/1/C/PART, TTC Industrial Area, MIDC, Juinagar, Navi Mumbai 400705, India

☎ +91-22-4967-1438 · ☎ +91-22-4967-1439 · o.ashar@wiska.in · www.wiska.in

Recommended accessories



| | |
|----------------|----------|
| RDE 50 | 10062188 |
| BS 35 | 10064017 |
| ESMU 50 | 10064194 |

27.06.2026

Your Contact:

WISKA India Pvt. Ltd.

Mr. Omkar Ashar · Unit No.247/248,Raheja Tesla Industrial District II , Edison Bldg No.-1A,
Plot No.GEN2/1/C/PART, TTC Industrial Area, MIDC, Juinagar, Navi Mumbai 400705, India

 +91-22-4967-1438 ·  +91-22-4967-1439 · o.ashar@wiska.in · www.wiska.in



Your Contact:

WISKA India Pvt. Ltd.

Mr. Omkar Ashar · Unit No.247/248,Raheja Tesla Industrial District II , Edison Bldg No.-1A,
Plot No.GEN2/1/C/PART, TTC Industrial Area, MIDC, Juinagar, Navi Mumbai 400705, India

☎ +91-22-4967-1438 · ☎ +91-22-4967-1439 · o.ashar@wiska.in · www.wiska.in

Other technical data on request / subject to change without notice