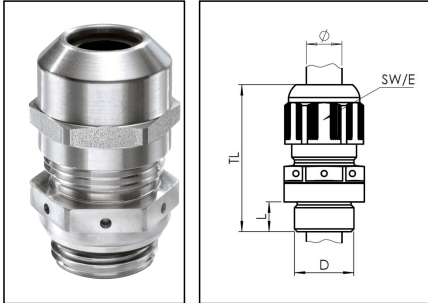


## ESSVG 50

Pressure compensation cable gland, stainless steel 1.4305, M50



Products may differ in size, colour and appearance to those shown. If you require further information or customisation, please contact us directly.



<b>Material cable gland</b>	Edelstahl A2 (1.4305)
<b>Material membrane</b>	ePTFE
<b>Material sealing gasket</b>	EPDM
<b>Airflow at 70mbar</b>	225 l/h
<b>Temp. range min</b>	-40 °C
<b>Temp. range max</b>	100 °C
<b>Protection class</b>	IP68 / IP69
<b>Thread type</b>	M
<b>Ø Connection thread D</b>	50
<b>Lead</b>	1,5
<b>Length screw-in thread L</b>	9 mm
<b>Ø cable diameter min</b>	21 mm
<b>Ø cable diameter max</b>	35 mm
<b>Key width SW</b>	55 mm
<b>Collar diameter (E)</b>	61 mm
<b>Install. torques fitting</b>	30 N m
<b>Install. torques cap nut</b>	30 N m
<b>Total length TL</b>	64 mm - 77 mm
<b>WISKA-Order no.</b>	10069404
<b>Type</b>	ESSVG 50
<b>Packing unit</b>	1
<b>EAN number</b>	4007685694049
<b>Tariff number</b>	73269098
<b>ETIM-Classification</b>	EC000441

Your Contact:

WISKA India Pvt. Ltd.

Mr. Omkar Ashar · Unit No.247/248,Raheja Tesla Industrial District II , Edison Bldg No.-1A,  
Plot No.GEN2/1/C/PART, TTC Industrial Area, MIDC, Juinagar, Navi Mumbai 400705, India

☎ +91-22-4967-1438 · ☎ +91-22-4967-1439 · o.ashar@wiska.in · www.wiska.in

**Recommended accessories**



<b>RDE 50</b>	10062188
<b>MFD 50/25/050</b>	10063102
<b>BS 35</b>	10064017
<b>ESMU 50</b>	10064194
<b>MFD 50/09/080</b>	10064394

17.06.2026

Your Contact:

**WISKA India Pvt. Ltd.**

Mr. Omkar Ashar · Unit No.247/248,Raheja Tesla Industrial District II , Edison Bldg No.-1A,  
Plot No.GEN2/1/C/PART, TTC Industrial Area, MIDC, Juinagar, Navi Mumbai 400705, India

 +91-22-4967-1438 ·  +91-22-4967-1439 · o.ashar@wiska.in · www.wiska.in



Your Contact:

**WISKA India Pvt. Ltd.**

Mr. Omkar Ashar · Unit No.247/248,Raheja Tesla Industrial District II , Edison Bldg No.-1A,  
Plot No.GEN2/1/C/PART, TTC Industrial Area, MIDC, Juinagar, Navi Mumbai 400705, India

☎ +91-22-4967-1438 · ☎ +91-22-4967-1439 · o.ashar@wiska.in · www.wiska.in