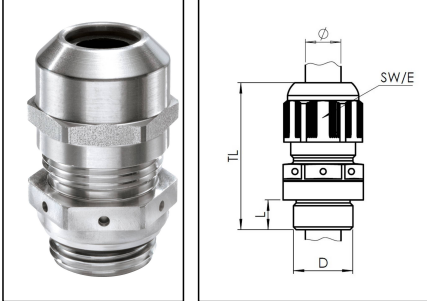


## ESSVG 25 EMV-Z

EMC Pressure compensation cable gland, stainless steel 1.4305, M25



Products may differ in size, colour and appearance to those shown. If you require further information or customisation, please contact us directly.



<b>Material cable gland</b>	Edelstahl A2 (1.4305)
<b>Material membrane</b>	ePTFE
<b>Material sealing gasket</b>	EPDM
<b>Material earthing insert</b>	Brass plated
<b>Airflow at 70mbar</b>	90 l/h
<b>Temp. range min</b>	-40 °C
<b>Temp. range max</b>	100 °C
<b>Protection class</b>	IP68 / IP69
<b>Thread type</b>	M
<b>Ø Connection thread D</b>	25
<b>Lead</b>	1,5
<b>Length screw-in thread L</b>	7 mm
<b>Ø cable diameter min</b>	9 mm
<b>Ø cable diameter max</b>	17 mm
<b>Ø cable below cable shield max</b>	16 mm
<b>Key width SW</b>	30 mm
<b>Collar diameter (E)</b>	33 mm
<b>Install. torques fitting</b>	10 N m
<b>Install. torques cap nut</b>	10 N m
<b>Total length TL</b>	43 mm - 52 mm
<b>WISKA-Order no.</b>	10069407
<b>Type</b>	ESSVG 25 EMV-Z
<b>Packing unit</b>	1
<b>EAN number</b>	4007685694070
<b>Tariff number</b>	85369010

Your Contact:

WISKA India Pvt. Ltd.

Mr. Omkar Ashar · Unit No.247/248,Raheja Tesla Industrial District II , Edison Bldg No.-1A,  
Plot No.GEN2/1/C/PART, TTC Industrial Area, MIDC, Juinagar, Navi Mumbai 400705, India

☎ +91-22-4967-1438 · ☎ +91-22-4967-1439 · o.ashar@wiska.in · www.wiska.in

ETIM-Classification

EC000441

**Recommended accessories**



<b>RDE 25</b>	10060768
<b>BS 17</b>	10064012
<b>ESMU 25</b>	10064191

12.05.2026

Your Contact:

**WISKA India Pvt. Ltd.**

Mr. Omkar Ashar · Unit No.247/248,Raheja Tesla Industrial District II , Edison Bldg No.-1A,  
Plot No.GEN2/1/C/PART, TTC Industrial Area, MIDC, Juinagar, Navi Mumbai 400705, India

 +91-22-4967-1438 ·  +91-22-4967-1439 · [o.ashar@wiska.in](mailto:o.ashar@wiska.in) · [www.wiska.in](http://www.wiska.in)



Your Contact:

**WISKA India Pvt. Ltd.**

Mr. Omkar Ashar · Unit No.247/248,Raheja Tesla Industrial District II , Edison Bldg No.-1A,  
Plot No.GEN2/1/C/PART, TTC Industrial Area, MIDC, Juinagar, Navi Mumbai 400705, India

☎ +91-22-4967-1438 · ☎ +91-22-4967-1439 · o.ashar@wiska.in · www.wiska.in

Other technical data on request / subject to change without notice