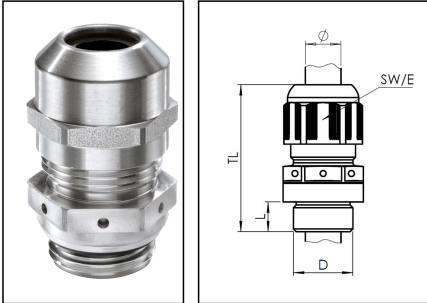


## ESSVG-4 32

Pressure compensation cable gland, stainless steel 1.4404, M32



Products may differ in size, colour and appearance to those shown. If you require further information or customisation, please contact us directly.



Material cable gland	Edelstahl A4 (1.4404)
Material membrane	ePTFE
Material sealing gasket	EPDM
Airflow at 70mbar	115 l/h
Temp. range min	-40 °C
Temp. range max	100 °C
Protection class	IP68 / IP69
Thread type	M
Ø Connection thread D	32
Lead	1,5
Length screw-in thread L	8 mm
Ø cable diameter min	13 mm
Ø cable diameter max	21 mm
Key width SW	36 mm
Collar diameter (E)	40 mm
Install. torques fitting	20 N m
Install. torques cap nut	20 N m
Total length TL	47 mm - 56 mm
WISKA-Order no.	10069502
Type	ESSVG-4 32
Packing unit	1
EAN number	4007685695022
Tariff number	73269098
ETIM-Classification	EC000441

Your Contact:

WISKA India Pvt. Ltd.

Mr. Omkar Ashar · Unit No.247/248,Raheja Tesla Industrial District II , Edison Bldg No.-1A,  
Plot No.GEN2/1/C/PART, TTC Industrial Area, MIDC, Juinagar, Navi Mumbai 400705, India

☎ +91-22-4967-1438 · ☎ +91-22-4967-1439 · o.ashar@wiska.in · www.wiska.in

## Recommended accessories

<b>RDE 32</b>	10062186
<b>BS 21</b>	10064014
<b>ESMU 32</b>	10064192
<b>MFD 32/04/070</b>	10064344
<b>MFD 32/06/060</b>	10064345
<b>MFD 32/04/080</b>	10064950
<b>MFD 32/03/080</b>	10101018
<b>MFD 32/05/070</b>	10101140
<b>MFD 32/01/115-01/085</b>	10101256
<b>MFD 32/03/065</b>	10102169
<b>MFD 32/03/090</b>	10102170

17.06.2026

Your Contact:

**WISKA India Pvt. Ltd.**

Mr. Omkar Ashar · Unit No.247/248,Raheja Tesla Industrial District II , Edison Bldg No.-1A,  
Plot No.GEN2/1/C/PART, TTC Industrial Area, MIDC, Juinagar, Navi Mumbai 400705, India

☎ +91-22-4967-1438 · ☎ +91-22-4967-1439 · o.ashar@wiska.in · www.wiska.in



Your Contact:

**WISKA India Pvt. Ltd.**

Mr. Omkar Ashar · Unit No.247/248, Raheja Tesla Industrial District II , Edison Bldg No.-1A,  
Plot No.GEN2/1/C/PART, TTC Industrial Area, MIDC, Juinagar, Navi Mumbai 400705, India

☎ +91-22-4967-1438 · ☎ +91-22-4967-1439 · o.ashar@wiska.in · www.wiska.in

Other technical data on request / subject to change without notice