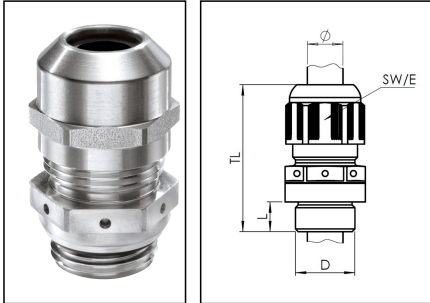


ESSVG-4 50 EMV-Z

EMC Pressure compensation cable gland, stainless steel, M50



Products may differ in size, colour and appearance to those shown. If you require further information or customisation, please contact us directly.



| | |
|---------------------------------------|-----------------------------|
| Material cable gland | Stainless steel A4 (1.4404) |
| Material membrane | ePTFE |
| Material sealing gasket | EPDM |
| Material earthing insert | Brass plated |
| Airflow at 70mbar | 225 l/h |
| Temp. range min | -40 °C |
| Temp. range max | 100 °C |
| Protection class | IP68 / IP69 |
| Thread type | M |
| Ø Connection thread D | 50 |
| Lead | 1,5 |
| Length screw-in thread L | 9 mm |
| Ø cable diameter min | 21 mm |
| Ø cable diameter max | 35 mm |
| Ø cable below cable shield max | 33 mm |
| Key width SW | 55 mm |
| Collar diameter (E) | 61 mm |
| Install. torques fitting | 30 N m |
| Install. torques cap nut | 30 N m |
| Total length TL | 64 mm - 77 mm |
| WISKA-Order no. | 10069510 |
| Type | ESSVG-4 50 EMV-Z |
| Packing unit | 1 |
| EAN number | 4007685695107 |
| Tariff number | 85369010 |

Your Contact:

WISKA India Pvt. Ltd.

Mr. Omkar Ashar · Unit No.247/248,Raheja Tesla Industrial District II , Edison Bldg No.-1A,
Plot No.GEN2/1/C/PART, TTC Industrial Area, MIDC, Juinagar, Navi Mumbai 400705, India

☎ +91-22-4967-1438 · ☎ +91-22-4967-1439 · o.ashar@wiska.in · www.wiska.in

ETIM-Classification

EC000441

Recommended accessories

| | |
|----------------|----------|
| RDE 50 | 10062188 |
| BS 35 | 10064017 |
| ESMU 50 | 10064194 |

27.06.2026

Your Contact:

WISKA India Pvt. Ltd.

Mr. Omkar Ashar · Unit No.247/248,Raheja Tesla Industrial District II , Edison Bldg No.-1A,
Plot No.GEN2/1/C/PART, TTC Industrial Area, MIDC, Juinagar, Navi Mumbai 400705, India

 +91-22-4967-1438 ·  +91-22-4967-1439 · o.ashar@wiska.in · www.wiska.in



Your Contact:

WISKA India Pvt. Ltd.

Mr. Omkar Ashar · Unit No.247/248,Raheja Tesla Industrial District II , Edison Bldg No.-1A,
Plot No.GEN2/1/C/PART, TTC Industrial Area, MIDC, Juinagar, Navi Mumbai 400705, India

☎ +91-22-4967-1438 · ☎ +91-22-4967-1439 · o.ashar@wiska.in · www.wiska.in

Other technical data on request / subject to change without notice