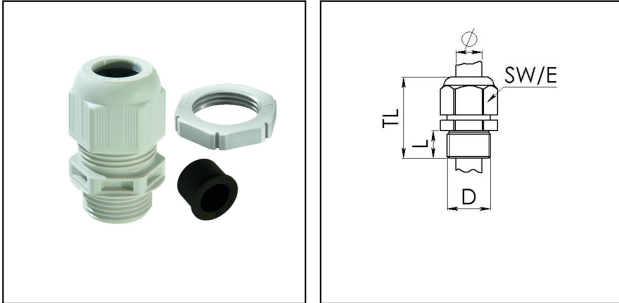


GLP20+RDE black

Cable gland with reduction sealing insert, polyamide, M20, RAL 9005



Product illustrations are exemplary and may differ from the chosen product. Further variants and individual customization, we will gladly provide you on request.



Material cable gland	Polyamide
Material sealing gasket	EPDM
Temp. range min	-40 °C
Temp. range max	100 °C
Protection class	IP69, IP68 (5 bar 30 min)
Thread type	M
Ø Connection thread D	20
Lead	1,5
Length screw-in thread L	10 mm
Ø cable diameter min	4 mm
Ø cable diameter max	14 mm
Key width SW	24 mm
Collar diameter (E)	27 mm
Total length TL	36 mm - 45 mm
Glow wire test	750 °C
Type of cable anchorage	A
Install. torques fitting	4 N m
Install. torques cap nut	3 N m
Advice	With reduction insert
Product Color	RAL 9005
Order no. RAL 9005	10100636
Type	GLP20+RDE black
Packing unit	10

Your Contact:

WISKA India Pvt. Ltd.

Mr. Omkar Ashar · 407, V Times Square, Plot No. - 3, Sector - 15, CBD Belapur · Navi Mumbai 400614, India

☎ +91 22/27566438 / 39 · 📠 +91 22/27566441



o.ashar@wiska.in · www.wiska.in

17.07.2018

Your Contact:

WISKA India Pvt. Ltd.

Mr. Omkar Ashar · 407, V Times Square, Plot No. - 3, Sector - 15, CBD Belapur · Navi Mumbai 400614, India

 +91 22/27566438 / 39 ·  +91 22/27566441

o.ashar@wiska.in · www.wiska.in



Your Contact:

WISKA India Pvt. Ltd.

Mr. Omkar Ashar · 407, V Times Square, Plot No. - 3, Sector - 15, CBD Belapur · Navi Mumbai 400614, India

☎ +91 22/27566438 / 39 · 📠 +91 22/27566441

o.ashar@wiska.in · www.wiska.in