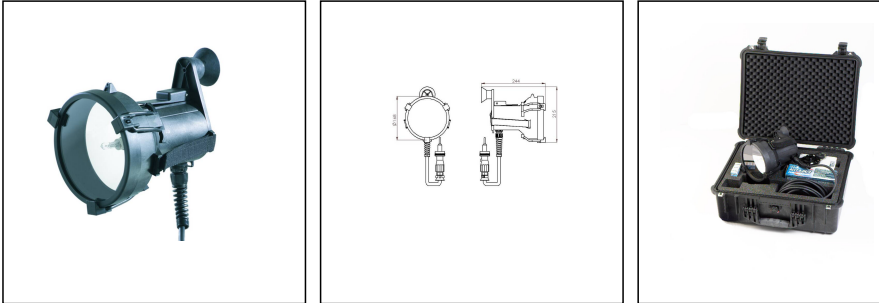


HML-ISO 35-5-C-W-F00-A01

Day Signalling Searchlight 30W 12V/24V DC, plastic, black



Products may differ in size, colour and appearance to those shown. If you require further information or customisation, please contact us directly.



| | |
|--------------------------------|------------------------------|
| WISKA-Order no. | 10100903 |
| Type | HML-ISO 35-5-C-W-F00-A01 |
| Material | Polyamide, fibre reinforced |
| Material globe/diffuser | Polycarbonate |
| Colour | Black |
| Wattage | 30 W |
| Voltage min. (V) | 12 V |
| Voltage max. (V) | 24 V |
| Type of Voltage | DC |
| Protection class | IP56 |
| Operational areas | Emergency, Outdoor |
| Temp. range min | -25 °C |
| Temp. range max | 55 °C |
| Lightsource | Halogen lamp |
| Reflector | Glass |
| Lightsource incl. | Yes |
| Bulb shape | reflector |
| Average lamp durability | 50 h |
| Globe colour | Clear |
| Light performance | immediately |
| Lampholder | GY6,35 |
| Number of lampholder | 1 ST |
| Material cable gland | Polyamide |
| Power cable | H07RN-F 2x1,5mm ² |
| Ø cable diameter min | 6 mm |

Your Contact:

WISKA India Pvt. Ltd.

Mr. Omkar Ashar · Unit No.247/248,Raheja Tesla Industrial District II , Edison Bldg No.-1A,
Plot No.GEN2/1/C/PART, TTC Industrial Area, MIDC, Juinagar, Navi Mumbai 400705, India

☎ +91-22-4967-1438 · ☎ +91-22-4967-1439 · o.ashar@wiska.in · www.wiska.in

| | |
|----------------------------------|---|
| Ø cable diameter max | 13 mm |
| External dimensions LxWxH | 160 x 244 x 215 mm |
| Approval | DNV-GL |
| Weight | 12,3 kg |
| Equipment | without filter, incl. PowerPack + Charger |
| Advice | Case |
| Tariff number | 94054910 |

Remarks:

- Signal range visibility: 4.800m during the day, 21.400m at night

Equipment:

- Toughened front glass
- Rubber sealing
- Quick fastening rubber
- Sighting device
- Micro switch for left- and right hander
- mounted halogen lamp + 3 spare lamps
- Connection cable 5m
- SOS function
- Permanent light function
- Cargo and storage in watertight, IP 67 (1m; 30min) crushproof and dust proof case
- This device is built at least according to requirements of ABS, BV, DNV, GL, LR, PRS

Recommended accessories

| | |
|---------------------------------------|----------|
| HML-ISO 35 Extension 5m 2-wire | 10013574 |
| SP-HML-ISO 35 Filter, blue | 22000467 |
| SP-HML-ISO 35 Filter, green | 22000468 |
| SP-HML-ISO 35 Filter, red | 22000469 |

Spare parts

| | |
|---|----------|
| SP-HML-ISO 35 Surrounding frame | 22000456 |
| SP-HML-ISO 35 Front cover, clear | 22000457 |
| SP-HML-ISO 35 Quick release rubber | 22000460 |
| SP-HML-ISO 35 Concentric plug 117 | 22000463 |
| SP-HML-ISO 35 Concentric socket DK 503 | 22000464 |
| SP-HML-ISO 35 Power Pack | 22000465 |
| SP-HML-ISO 35 Charger | 22000466 |
| SP-HML-ISO 35 Halogen lamp 30W 12V | 22000470 |

Your Contact:

WISKA India Pvt. Ltd.

Mr. Omkar Ashar · Unit No.247/248,Raheja Tesla Industrial District II , Edison Bldg No.-1A,
Plot No.GEN2/1/C/PART, TTC Industrial Area, MIDC, Juinagar, Navi Mumbai 400705, India

☎ +91-22-4967-1438 · ☎ +91-22-4967-1439 · o.ashar@wiska.in · www.wiska.in

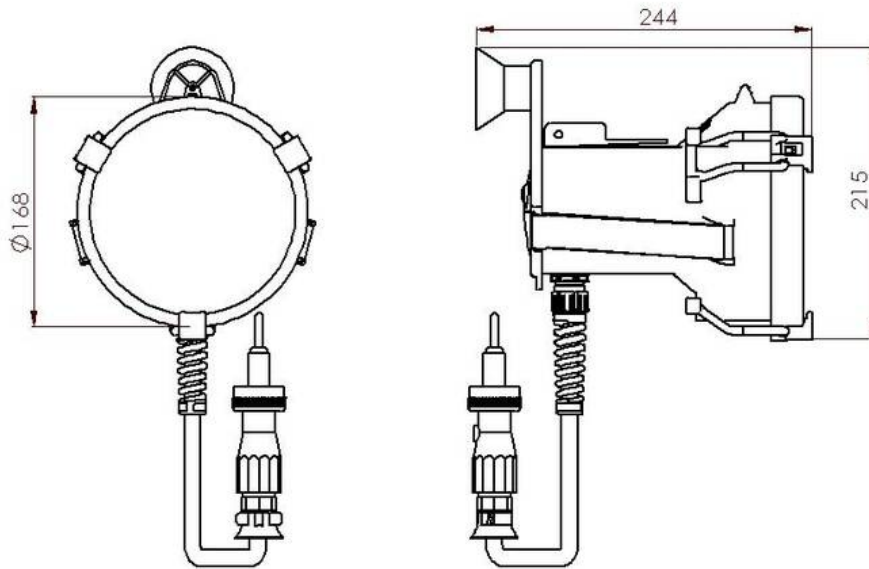
12.05.2026

Your Contact:

WISKA India Pvt. Ltd.

Mr. Omkar Ashar · Unit No.247/248,Raheja Tesla Industrial District II , Edison Bldg No.-1A,
Plot No.GEN2/1/C/PART, TTC Industrial Area, MIDC, Juinagar, Navi Mumbai 400705, India

☎ +91-22-4967-1438 · ☎ +91-22-4967-1439 · o.ashar@wiska.in · www.wiska.in



Your Contact:

WISKA India Pvt. Ltd.

Mr. Omkar Ashar · Unit No.247/248,Raheja Tesla Industrial District II , Edison Bldg No.-1A,
Plot No.GEN2/1/C/PART, TTC Industrial Area, MIDC, Juinagar, Navi Mumbai 400705, India

☎ +91-22-4967-1438 · ☎ +91-22-4967-1439 · o.ashar@wiska.in · www.wiska.in