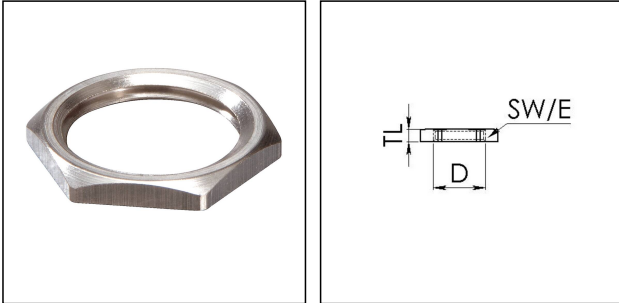


## NMMU 3/4

Lochnut, brass nickel-plated, NPT 3/4"



Products may differ in size, colour and appearance to those shown. If you require further information or customisation, please contact us directly.



<b>Material</b>	Brass nickel-plated
<b>Surface</b>	Nickel-plated
<b>Temp. range min</b>	-200 °C
<b>Temp. range max</b>	250 °C
<b>Thread type</b>	NPT
<b>Ø Connection thread D</b>	3/4"
<b>Key width SW</b>	32 mm
<b>Collar diameter (E)</b>	36 mm
<b>Total length TL</b>	5,5 mm
<b>Order no. nickel-plated</b>	10100975
<b>Type</b>	NMMU 3/4
<b>Packing unit</b>	100
<b>EAN number</b>	4007685009041
<b>Tariff number</b>	74198090
<b>ETIM-Classification</b>	EC000940

12.05.2026

Your Contact:

WISKA India Pvt. Ltd.

Mr. Omkar Ashar · Unit No.247/248,Raheja Tesla Industrial District II , Edison Bldg No.-1A,  
Plot No.GEN2/1/C/PART, TTC Industrial Area, MIDC, Juinagar, Navi Mumbai 400705, India

☎ +91-22-4967-1438 · ☎ +91-22-4967-1439 · o.ashar@wiska.in · www.wiska.in



Your Contact:

**WISKA India Pvt. Ltd.**

Mr. Omkar Ashar · Unit No.247/248,Raheja Tesla Industrial District II , Edison Bldg No.-1A,  
Plot No.GEN2/1/C/PART, TTC Industrial Area, MIDC, Juinagar, Navi Mumbai 400705, India

☎ +91-22-4967-1438 · ☎ +91-22-4967-1439 · o.ashar@wiska.in · www.wiska.in