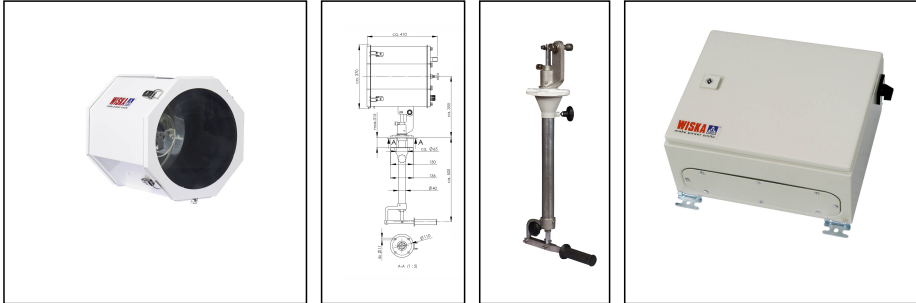


SH300 -575-K(220)-P09-I01

Searchlight with metal halide lamp Ø 300mm 575W 230V



Products may differ in size, colour and appearance to those shown. If you require further information or customisation, please contact us directly.

WISKA-Order no.	10101117
Type	SH300 -575-K(220)-P09-I01
Material	Stainless steel
Wattage	575 W
Colour	RAL 9016
Surface	Powder coated
Voltage	230 V
Type of Voltage	AC
Frequence	50/60 Hz
Protection class	IP56
Operational areas	Outdoor
Reflector	Glass
Focusing	manuel
Lightsource	Metal halide lamp
Lightsource incl.	Yes
Colour temperature	6000 K
Luminous flux	49000 lm
Average lamp durability	750 h
Light performance	immediately, Maximum light after 45 sec.
Range (1 lux)	2280 m
Light intensity mio/cd	5,2
Divergence	6°/10
Lampholder	SFc10-4
Number of lampholder	1 ST
Temp. range min	-25 °C

Your Contact:

WISKA India Pvt. Ltd.

Mr. Omkar Ashar · Unit No.247/248,Raheja Tesla Industrial District II , Edison Bldg No.-1A,
Plot No.GEN2/1/C/PART, TTC Industrial Area, MIDC, Juinagar, Navi Mumbai 400705, India

☎ +91-22-4967-1438 · ☎ +91-22-4967-1439 · o.ashar@wiska.in · www.wiska.in

Temp. range max	45 °C
Power supply, standard	PSUH: HMI, 575W, 230VAC
Type of cable gland	ESKVS 20
Material cable gland	Polyamide
Type of cable	non-armoured
Power cable	H07RN-F 3x1,5mm ²
Ø cable diameter min	6 mm
Ø cable diameter max	13 mm
Globe colour	Clear
Mounting	Upside
Weight	44 kg
Tariff number	94054910

Remarks:

SH300: Searchlight with metal halide lamp 575W, IP56 glass parabolic mirror 300mm
575W
K(220):Power supply unit, conventional, PSUH 575W, 220V
P09: Cabin Control
I01: manuel,stepless focusing

Equipment:

- Toughened front glass
- Rubber sealing
- Quick fastening devices
- Ignition
- Connection cable 3m
- Anti dazzle screen

Spare parts

SP-S-Quick releases clamp (4 pcs)	22000050
SP-SW300-Front frame + Front glass cpl.	22000091
SP-SH/SKS-Metal halide discharge lamp	22000107
SP-SH/SKS-Igniter type IG 575 KVG	22000108
SP-SH/SKS-Lamp holder SFc10-4 for 575W	22000109
SP-SH/SKS-Series impedance for 575W	22000110
SP-SW-Gasket for searchlight housing	22000116
SP-SW Cabin Control C 300	22000120

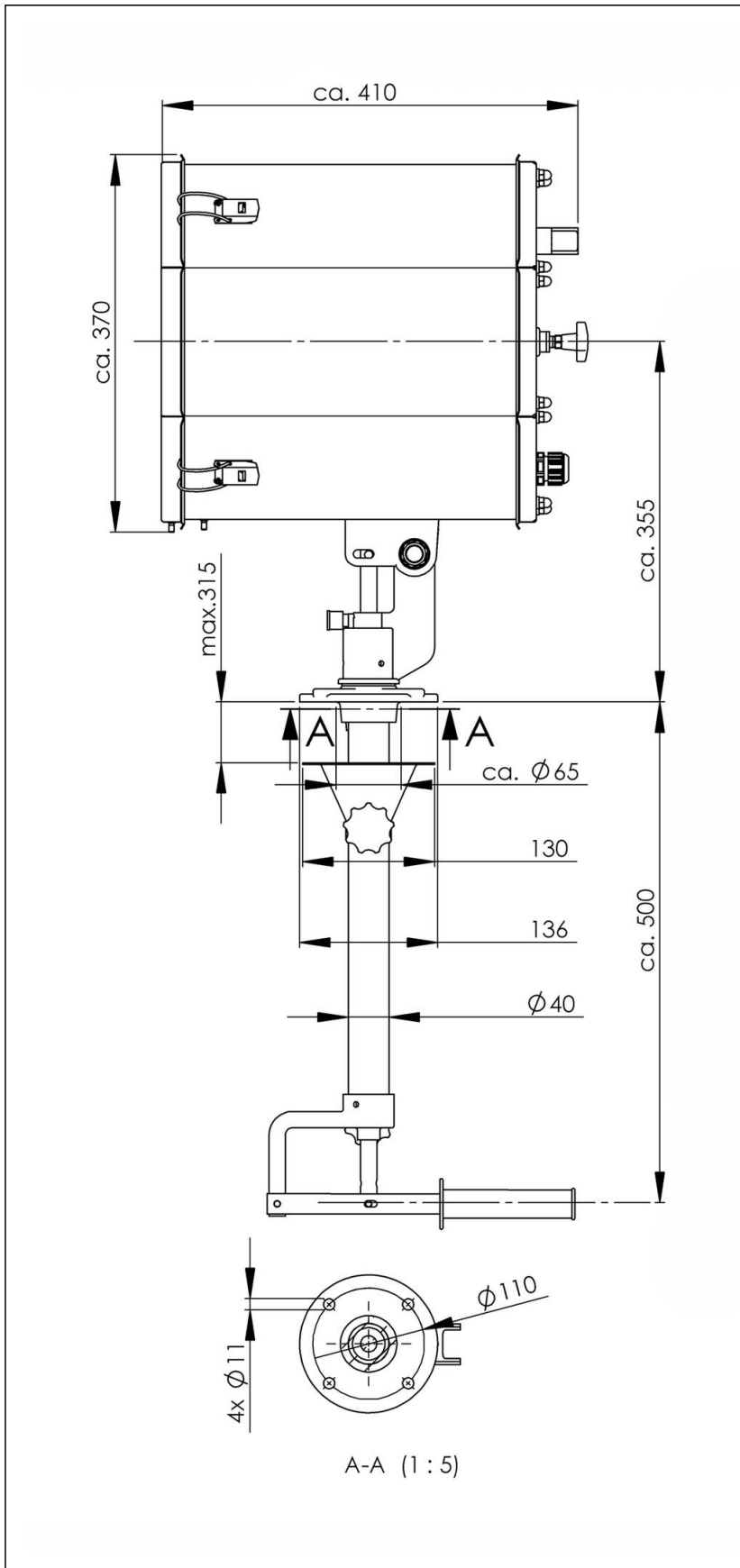
12.05.2026

Your Contact:

WISKA India Pvt. Ltd.

Mr. Omkar Ashar · Unit No.247/248,Raheja Tesla Industrial District II , Edison Bldg No.-1A,
Plot No.GEN2/1/C/PART, TTC Industrial Area, MIDC, Juinagar, Navi Mumbai 400705, India

☎ +91-22-4967-1438 · ☎ +91-22-4967-1439 · o.ashar@wiska.in · www.wiska.in



Your Contact:

WISKA India Pvt. Ltd.

Mr. Omkar Ashar · Unit No.247/248, Raheja Tesla Industrial District II, Edison Bldg No.-1A,
Plot No.GEN2/1/C/PART, TTC Industrial Area, MIDC, Juinagar, Navi Mumbai 400705, India

☎ +91-22-4967-1438 · ☎ +91-22-4967-1439 · o.ashar@wiska.in · www.wiska.in



Your Contact:

WISKA India Pvt. Ltd.

Mr. Omkar Ashar · Unit No.247/248,Raheja Tesla Industrial District II , Edison Bldg No.-1A,
Plot No.GEN2/1/C/PART, TTC Industrial Area, MIDC, Juinagar, Navi Mumbai 400705, India

☎ +91-22-4967-1438 · ☎ +91-22-4967-1439 · o.ashar@wiska.in · www.wiska.in

Other technical data on request / subject to change without notice