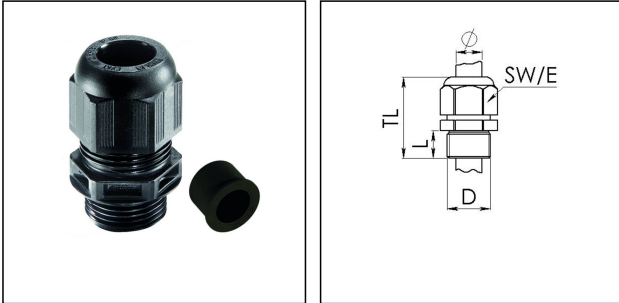


## NSKV-RDE 2 BK

Cable gland with reduction sealing insert, polyamide, NPT 2", RAL 9005



Products may differ in size, colour and appearance to those shown. If you require further information or customisation, please contact us directly.



<b>Material cable gland</b>	Polyamide
<b>Material sealing gasket</b>	EPDM
<b>Protection class</b>	IP68 (5 bar 30 min), IP69
<b>Temp. range min</b>	-40 °C
<b>Temp. range max</b>	100 °C
<b>Glow wire test</b>	750 °C
<b>Thread type</b>	NPT
<b>Ø Connection thread D</b>	2"
<b>Length screw-in thread L</b>	18 mm
<b>Ø cable diameter min</b>	28 mm
<b>Ø cable diameter max</b>	48 mm
<b>Key width SW</b>	68 mm
<b>Collar diameter (E)</b>	75 mm
<b>Total length TL</b>	69 mm - 83 mm
<b>Type of cable anchorage</b>	A
<b>Install. torques fitting</b>	30 N m
<b>Install. torques cap nut</b>	30 N m
<b>Advice</b>	With reduction insert
<b>Product Color</b>	RAL 9005
<b>Type</b>	NSKV-RDE 2 BK
<b>Order no. RAL 9005</b>	10101992
<b>Packing unit</b>	3
<b>EAN number</b>	4007686068719
<b>Tariff number</b>	39269097
<b>ETIM-Classification</b>	EC000441

Your Contact:

WISKA India Pvt. Ltd.

Mr. Omkar Ashar · Unit No.247/248,Raheja Tesla Industrial District II , Edison Bldg No.-1A,  
Plot No.GEN2/1/C/PART, TTC Industrial Area, MIDC, Juinagar, Navi Mumbai 400705, India



☎ +91-22-4967-1438 · ☎ +91-22-4967-1439 · o.ashar@wiska.in · www.wiska.in

27.06.2026

Your Contact:

**WISKA India Pvt. Ltd.**

Mr. Omkar Ashar · Unit No.247/248,Raheja Tesla Industrial District II , Edison Bldg No.-1A,  
Plot No.GEN2/1/C/PART, TTC Industrial Area, MIDC, Juinagar, Navi Mumbai 400705, India

 +91-22-4967-1438 ·  +91-22-4967-1439 · o.ashar@wiska.in · www.wiska.in



Your Contact:

**WISKA India Pvt. Ltd.**

Mr. Omkar Ashar · Unit No.247/248,Raheja Tesla Industrial District II , Edison Bldg No.-1A,  
Plot No.GEN2/1/C/PART, TTC Industrial Area, MIDC, Juinagar, Navi Mumbai 400705, India

☎ +91-22-4967-1438 · ☎ +91-22-4967-1439 · o.ashar@wiska.in · www.wiska.in

Other technical data on request / subject to change without notice