

SH400 -575-K(220)-P10

Searchlight with metal halide lamp Ø 400mm 575W 230V



Products may differ in size, colour and appearance to those shown. If you require further information or customisation, please contact us directly.

WISKA-Order no.	10102335
Type	SH400 -575-K(220)-P10
Material	Stainless steel
Wattage	575 W
Colour	RAL 9016
Surface	Powder coated
Voltage	230 V
Type of Voltage	AC
Frequence	50/60 Hz
Protection class	IP56
Operational areas	Outdoor
Reflector	Glass
Focusing	fixed focus
Lightsource	Metal halide lamp
Lightsource incl.	Yes
Bulb shape	rod shaped
Colour temperature	6000 K
Luminous flux	49000 lm
Average lamp durability	1000 h
Light performance	Maximum light after 45 sec., immediately
Range (1 lux)	3460 m
Light intensity mio/cd	12
Divergence	6°/10
Lampholder	SFc10-4
Number of lampholder	1 ST

Your Contact:

WISKA India Pvt. Ltd.

Mr. Omkar Ashar · Unit No.247/248,Raheja Tesla Industrial District II , Edison Bldg No.-1A,
Plot No.GEN2/1/C/PART, TTC Industrial Area, MIDC, Juinagar, Navi Mumbai 400705, India

☎ +91-22-4967-1438 · ☎ +91-22-4967-1439 · o.ashar@wiska.in · www.wiska.in

Temp. range min	-25 °C
Temp. range max	45 °C
Power supply, standard	PSUH: HMI, 575W, 230VAC
Type of cable gland	M 25 x 1,5
Material cable gland	Polyamide
Type of cable	non-armoured
Power cable	NYSLYÖ-JZ 5x1,5mm ²
Ø cable diameter min	9 mm
Ø cable diameter max	17 mm
Globe colour	Clear
Mounting	Upside
Weight	63 kg
Tariff number	94054910

Remarks:

SH400: Searchlight with metal halide lamp 575W, IP56 glass parabolic mirror 400mm
575W

K(220): Power supply unit, conventional, PSUH, 220V

P10: Cabin Control with Pedestal, CP 400/450 aluminium

Equipment:

- Toughened front glass
- Rubber sealing
- Quick fastening devices
- Ignition unit and stand-by heater
- Connection cable 3m
- Anti dazzle screen

Spare parts

SP-SW/SH/SKS-400 front frame+front glass	22000038
SP-S-Quick releases clamp (4 pcs)	22000050
SP-SKS-Auxiliary mirror LSH 400/450	22000106
SP-SH/SKS-Metal halide discharge lamp	22000107
SP-SH/SKS-Series impedance for 575W	22000110
SP-SW-Gasket for searchlight housing	22000116
SP-SH-Ignitor HMI 575	22000611
SP-SH400 Primary mirror	22000746

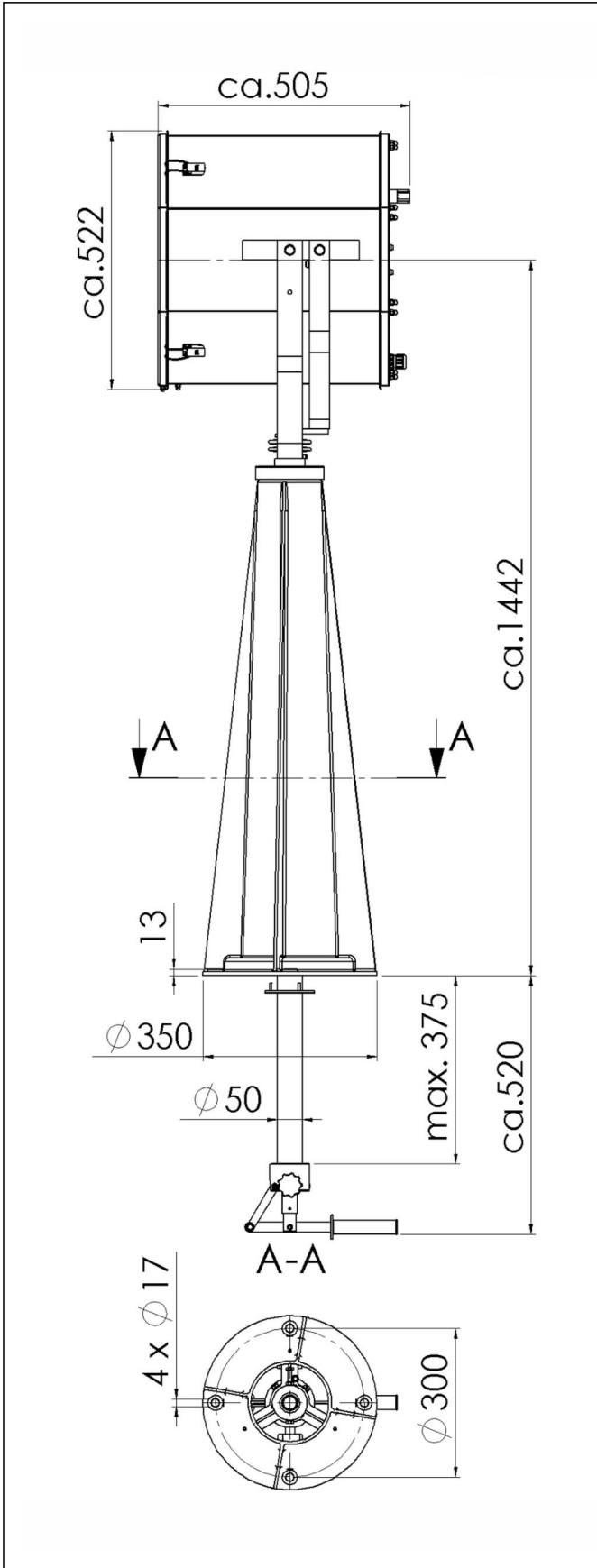
12.05.2026

Your Contact:

WISKA India Pvt. Ltd.

Mr. Omkar Ashar · Unit No.247/248,Raheja Tesla Industrial District II , Edison Bldg No.-1A,
Plot No.GEN2/1/C/PART, TTC Industrial Area, MIDC, Juinagar, Navi Mumbai 400705, India

☎ +91-22-4967-1438 · ☎ +91-22-4967-1439 · o.ashar@wiska.in · www.wiska.in



Your Contact:

WISKA India Pvt. Ltd.

Mr. Omkar Ashar · Unit No.247/248,Raheja Tesla Industrial District II , Edison Bldg No.-1A,
Plot No.GEN2/1/C/PART, TTC Industrial Area, MIDC, Juinagar, Navi Mumbai 400705, India

☎ +91-22-4967-1438 · ☎ +91-22-4967-1439 · o.ashar@wiska.in · www.wiska.in



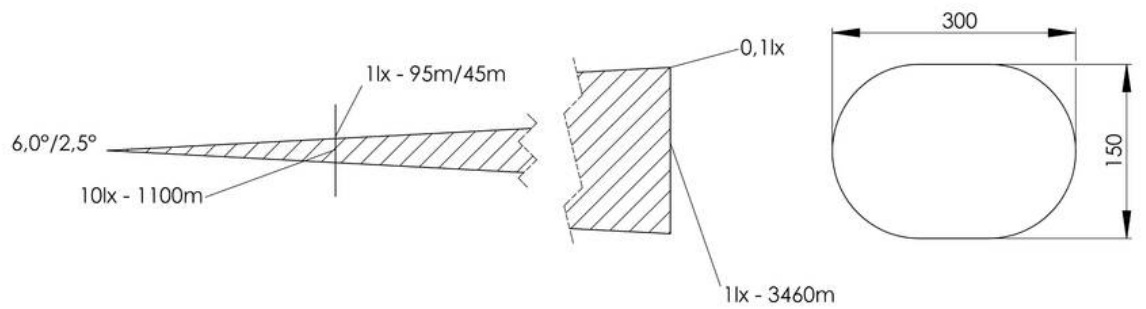
Your Contact:

WISKA India Pvt. Ltd.

Mr. Omkar Ashar · Unit No.247/248,Raheja Tesla Industrial District II , Edison Bldg No.-1A,
Plot No.GEN2/1/C/PART, TTC Industrial Area, MIDC, Juinagar, Navi Mumbai 400705, India

☎ +91-22-4967-1438 · ☎ +91-22-4967-1439 · o.ashar@wiska.in · www.wiska.in

Other technical data on request / subject to change without notice



Your Contact:

WISKA India Pvt. Ltd.

Mr. Omkar Ashar · Unit No.247/248,Raheja Tesla Industrial District II , Edison Bldg No.-1A,
Plot No.GEN2/1/C/PART, TTC Industrial Area, MIDC, Juinagar, Navi Mumbai 400705, India

☎ +91-22-4967-1438 · ☎ +91-22-4967-1439 · o.ashar@wiska.in · www.wiska.in