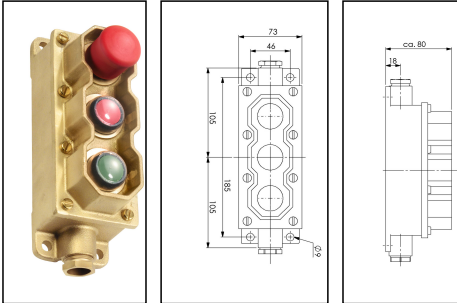



## 3720/D+PB-R/AA+PB-G/RR+IL-O/230-2xZ14

Combination of Push button and LED indication light 3-gang, brass, IP56



Products may differ in size, colour and appearance to those shown. If you require further information or customisation, please contact us directly.

|                              |   |
|------------------------------|---|
| <b>WISKA-Order no.</b>       | 10102695  |
| <b>Type</b>                  | 3720/D+PB-R/AA+PB-G/RR+IL-O/230-2xZ14   |
| <b>Voltage</b>               | 230 V   |
| <b>Type of Voltage</b>       | AC  |
| <b>Current</b>               | 6 A   |
| <b>Protection class</b>      | IP56  |
| <b>Material</b>              | Brass   |
| <b>Using for cable gland</b> |  |
| <b>Type of cable gland</b>   | M 24 x 1,5  |
| <b>Ø cable diameter min</b>  | 12 mm   |
| <b>Ø cable diameter max</b>  | 14,5 mm   |
| <b>Mounting</b>              | Surface mounting  |
| <b>Type of cable</b>         | armoured  |
| <b>Temp. range min</b>       | -25 °C  |
| <b>Temp. range max</b>       | 45 °C   |
| <b>Type of switch</b>        | Multiple push buttons   |
| <b>Weight</b>                | 2,01 kg   |
| <b>Tariff number</b>         | 85363010  |

Equipment:

- push button red, 2 closing contacts,
- push button green, 2 breaking contacts,
- LED indication light opal, 230V

Your Contact:

**WISKA India Pvt. Ltd.**

Mr. Omkar Ashar · Unit No.247/248,Raheja Tesla Industrial District II , Edison Bldg No.-1A,  
Plot No.GEN2/1/C/PART, TTC Industrial Area, MIDC, Juinagar, Navi Mumbai 400705, India

☎ +91-22-4967-1438 · ☎ +91-22-4967-1439 · o.ashar@wiska.in · www.wiska.in

**Remarks:**

- Push button acc. to IEC/EN 60947
- Uimp max. = 6KV
- Max. 3 contacts per push button (AR, AA, RR or 1 LED indicator lamp)

**Spare parts**

|   |          |
|---|----------|
| <b>SP-PB-R Push button, red</b>           | 22000577 |
| <b>SP-PB-G Push button, green</b>         | 22000578 |
| <b>SP-IL-O LED Indication light, opal</b> | 22000585 |

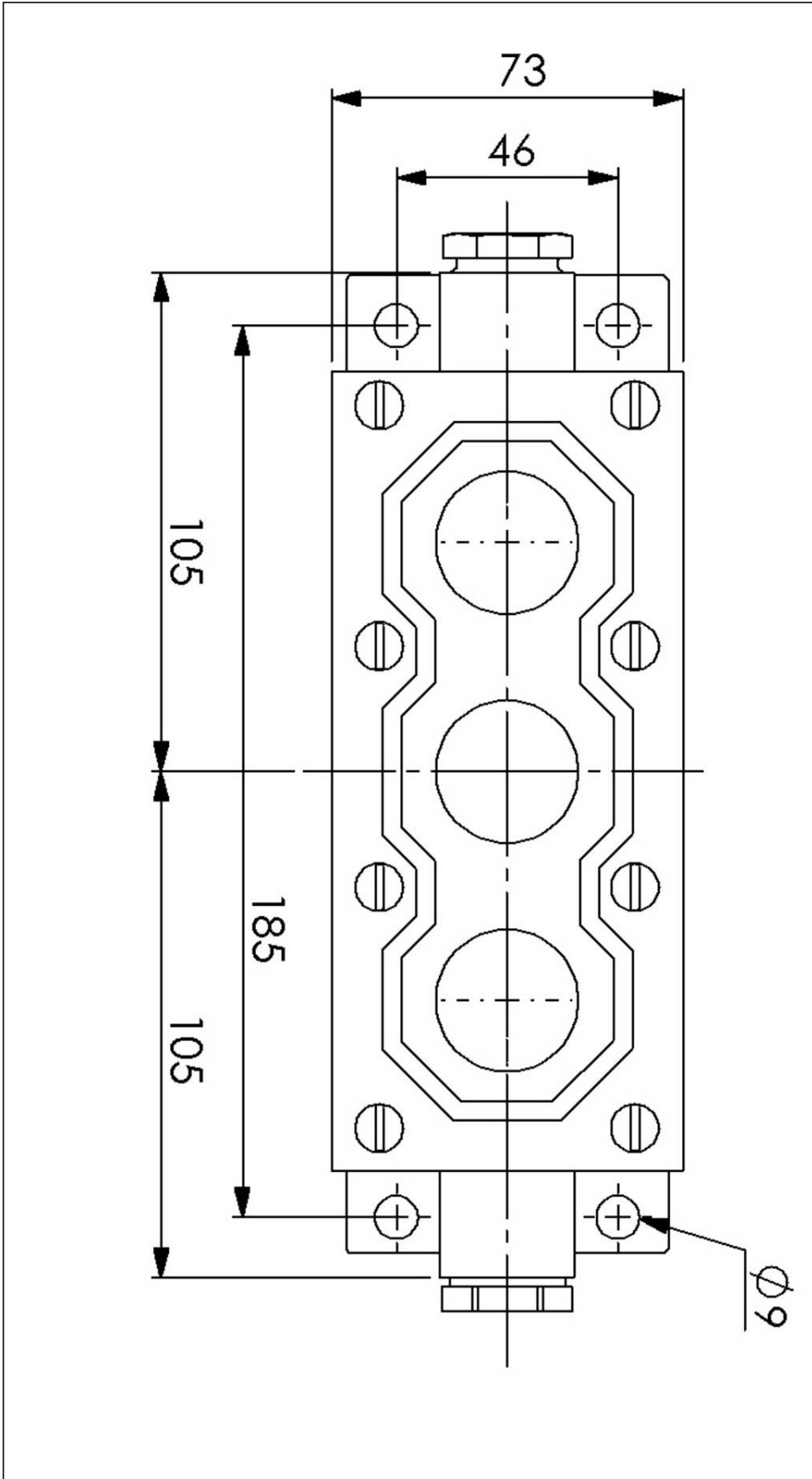
23.05.2026

Your Contact:

**WISKA India Pvt. Ltd.**

Mr. Omkar Ashar · Unit No.247/248,Raheja Tesla Industrial District II , Edison Bldg No.-1A,  
Plot No.GEN2/1/C/PART, TTC Industrial Area, MIDC, Juinagar, Navi Mumbai 400705, India

☎ +91-22-4967-1438 · ☎ +91-22-4967-1439 · o.ashar@wiska.in · www.wiska.in

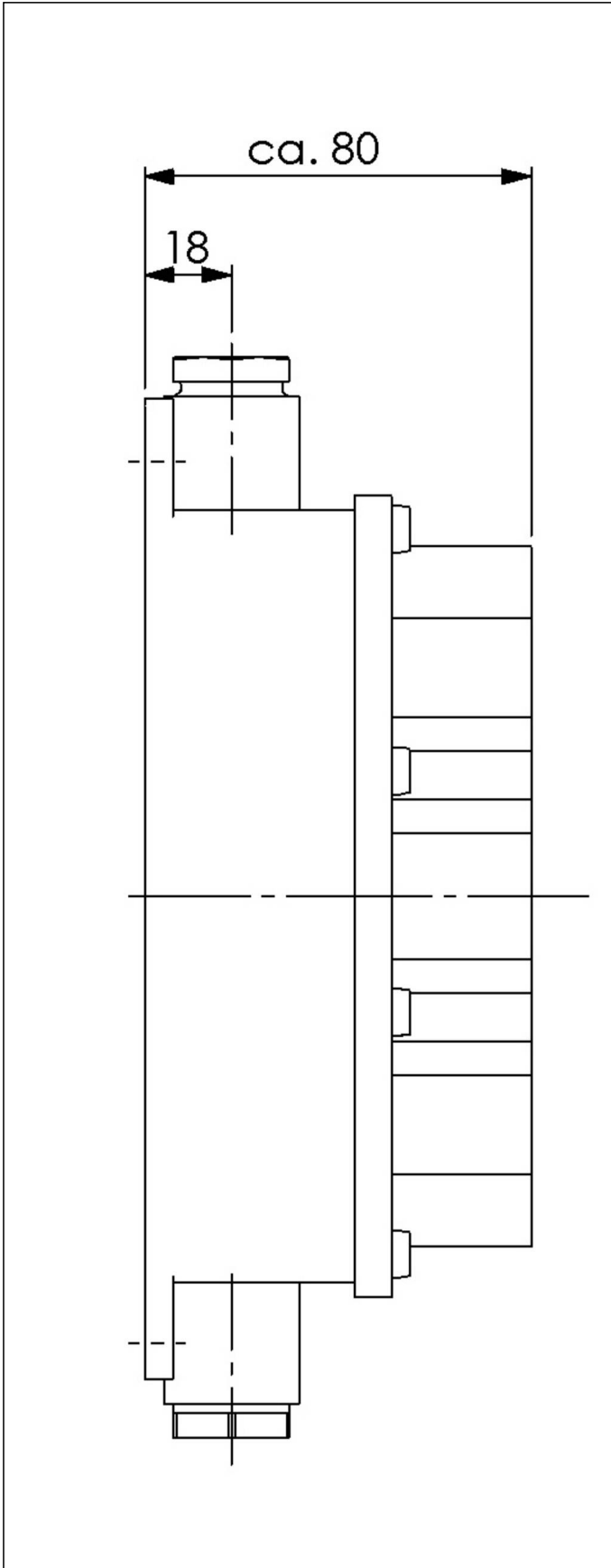


Your Contact:

**WISKA India Pvt. Ltd.**

Mr. Omkar Ashar · Unit No.247/248,Raheja Tesla Industrial District II , Edison Bldg No.-1A,  
Plot No.GEN2/1/C/PART, TTC Industrial Area, MIDC, Juinagar, Navi Mumbai 400705, India

☎ +91-22-4967-1438 · ☎ +91-22-4967-1439 · o.ashar@wiska.in · www.wiska.in



Your Contact:

**WISKA India Pvt. Ltd.**

Mr. Omkar Ashar · Unit No.247/248,Raheja Tesla Industrial District II , Edison Bldg No.-1A,  
Plot No.GEN2/1/C/PART, TTC Industrial Area, MIDC, Juinagar, Navi Mumbai 400705, India

☎ +91-22-4967-1438 · ☎ +91-22-4967-1439 · o.ashar@wiska.in · www.wiska.in