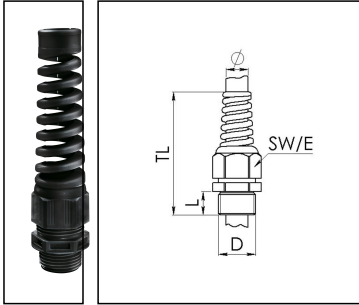


ESKE/1S-e 32

Ex-cable gland, polyamide with flex protection, RAL 9005, M32



Products may differ in size, colour and appearance to those shown. If you require further information or customisation, please contact us directly.



| | |
|--------------------------|--------------------------------|
| Material cable gland | Polyamide |
| Material sealing gasket | EPDM |
| Temp. range min | -40 °C |
| Temp. range max | 75 °C |
| Protection class | IP66 / IP68 (5 bar 30 min) |
| Type of protection | Ex eb, Ex tb |
| Ex-Certificate | IECEX, ATEX |
| Glow wire test | 750 °C |
| Thread type | M |
| Ø Connection thread D | 32 |
| Lead | 1,5 |
| Length screw-in thread L | 12 mm |
| Ø cable diameter min | 13 mm |
| Ø cable diameter max | 21 mm |
| Key width SW | 36 mm |
| Collar diameter (E) | 40 mm |
| Total length TL | 138 mm - 147 mm |
| Install. torques fitting | 4,5 N m |
| Install. torques cap nut | 3 N m |
| Equipment | Incl. connection thread gasket |
| Product Color | RAL 9005 |
| Order no. RAL 9005 | 10103497 |
| Type | ESKE/1S-e 32 |
| Packing unit | 10 |
| EAN number | 4007685086431 |

Your Contact:

WISKA India Pvt. Ltd.

Mr. Omkar Ashar · Unit No.247/248,Raheja Tesla Industrial District II , Edison Bldg No.-1A,
Plot No.GEN2/1/C/PART, TTC Industrial Area, MIDC, Juinagar, Navi Mumbai 400705, India

☎ +91-22-4967-1438 · ☎ +91-22-4967-1439 · o.ashar@wiska.in · www.wiska.in

| | |
|----------------------------|----------|
| Tariff number | 39269097 |
| ETIM-Classification | EC000441 |

Recommended accessories

| | |
|-------------------|----------|
| EMUG 32 BK | 10061784 |
| RDE 32 | 10062186 |
| BS 21 | 10064014 |

12.05.2026

Your Contact:

WISKA India Pvt. Ltd.

Mr. Omkar Ashar · Unit No.247/248,Raheja Tesla Industrial District II , Edison Bldg No.-1A,
Plot No.GEN2/1/C/PART, TTC Industrial Area, MIDC, Juinagar, Navi Mumbai 400705, India

☎ +91-22-4967-1438 · ☎ +91-22-4967-1439 · o.ashar@wiska.in · www.wiska.in



Your Contact:

WISKA India Pvt. Ltd.

Mr. Omkar Ashar · Unit No.247/248,Raheja Tesla Industrial District II , Edison Bldg No.-1A,
Plot No.GEN2/1/C/PART, TTC Industrial Area, MIDC, Juinagar, Navi Mumbai 400705, India

☎ +91-22-4967-1438 · ☎ +91-22-4967-1439 · o.ashar@wiska.in · www.wiska.in