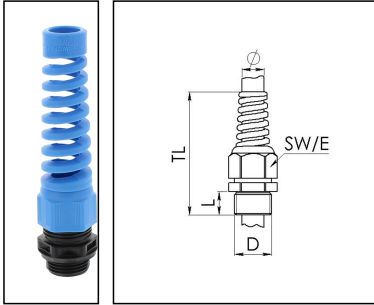


ESKE/1S-i 12

Ex-cable gland, polyamide with flex protection, RAL 9005/5012, M12



Products may differ in size, colour and appearance to those shown. If you require further information or customisation, please contact us directly.



| | |
|--------------------------|--------------------------------|
| Material cable gland | Polyamide |
| Material sealing gasket | EPDM |
| Temp. range min | 15 °C |
| Temp. range max | 65 °C |
| Protection class | IP66 / IP68 (5 bar 30 min) |
| Type of protection | Ex eb, Ex tb |
| Ex-Certificate | IECEx, ATEX |
| Glow wire test | 750 °C |
| Thread type | M |
| Ø Connection thread D | 12 |
| Lead | 1,5 |
| Length screw-in thread L | 9 mm |
| Ø cable diameter min | 3 mm |
| Ø cable diameter max | 6 mm |
| Key width SW | 16 mm |
| Collar diameter (E) | 18 mm |
| Total length TL | 72 mm - 77 mm |
| Equipment | Incl. connection thread gasket |
| Product Color | RAL 5012 / RAL 9005 |
| Order no. RAL 9005 | 10103498 |
| Type | ESKE/1S-i 12 |
| Packing unit | 50 |
| EAN number | 4007685086462 |
| Tariff number | 39269097 |
| ETIM-Classification | EC000441 |

Your Contact:

WISKA India Pvt. Ltd.

Mr. Omkar Ashar · Unit No.247/248,Raheja Tesla Industrial District II , Edison Bldg No.-1A,
Plot No.GEN2/1/C/PART, TTC Industrial Area, MIDC, Juinagar, Navi Mumbai 400705, India

☎ +91-22-4967-1438 · ☎ +91-22-4967-1439 · o.ashar@wiska.in · www.wiska.in

Recommended accessories

| | |
|-------------------|----------|
| EMUG 12 BK | 10061780 |
| RDE 12 | 10062183 |
| BS 6 | 10064004 |

12.05.2026

Your Contact:

WISKA India Pvt. Ltd.

Mr. Omkar Ashar · Unit No.247/248,Raheja Tesla Industrial District II , Edison Bldg No.-1A,
Plot No.GEN2/1/C/PART, TTC Industrial Area, MIDC, Juinagar, Navi Mumbai 400705, India

☎ +91-22-4967-1438 · ☎ +91-22-4967-1439 · o.ashar@wiska.in · www.wiska.in



Your Contact:

WISKA India Pvt. Ltd.

Mr. Omkar Ashar · Unit No.247/248,Raheja Tesla Industrial District II , Edison Bldg No.-1A,
Plot No.GEN2/1/C/PART, TTC Industrial Area, MIDC, Juinagar, Navi Mumbai 400705, India

☎ +91-22-4967-1438 · ☎ +91-22-4967-1439 · o.ashar@wiska.in · www.wiska.in

Other technical data on request / subject to change without notice