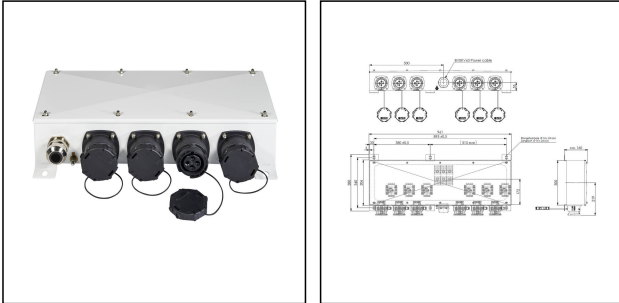


## VARITAIN® OneTouch ECO 06/FS/FS/32A/25kA

Reefer container socket 32A 25kA 440V 3h 6-gang, stainless steel, RAL 7035



Products may differ in size, colour and appearance to those shown. If you require further information or customisation, please contact us directly.



|                                  |  |
|----------------------------------|--|
| <b>WISKA-Order no.</b>           | 10104120                                 |
| <b>Type</b>                      | VARITAIN® OneTouch ECO 06/FS/FS/32A/25kA |
| <b>Material</b>                  | Stainless steel 1.4301 (V2A)             |
| <b>Material protective cap</b>   | Polyamide                                |
| <b>Socket insert</b>             | 3 - poles + PE                           |
| <b>Number of sockets</b>         | 6  |
| <b>Clock face position</b>       | 3h                                       |
| <b>Breaking capacity</b>         | 25 kA                                    |
| <b>Voltage max. (V)</b>          | 440 V                                    |
| <b>Type of Voltage</b>           | AC                                       |
| <b>Current</b>                   | 32 A                                     |
| <b>Protection class</b>          | IP56 / IP67                              |
| <b>Operational areas</b>         | Outdoor                                  |
| <b>Temp. range min</b>           | -25 °C                                   |
| <b>Temp. range max</b>           | 45 °C                                    |
| <b>Type of cable gland</b>       | EMSKV-RDE 63/EE56-45                     |
| <b>Mounting</b>                  | Wall, Surface mounting                   |
| <b>External dimensions LxWxH</b> | 955x300x129mm                            |
| <b>Colour</b>                    | RAL 7035                                 |
| <b>Weight</b>                    | 20 kg                                    |
| <b>Approval</b>                  | BV, DNV-GL                               |
| <b>Variations</b>                | on request                               |
| <b>Tariff number</b>             | 85366990                                 |

Your Contact:

**WISKA India Pvt. Ltd.**

Mr. Omkar Ashar · Unit No.247/248,Raheja Tesla Industrial District II , Edison Bldg No.-1A,  
Plot No.GEN2/1/C/PART, TTC Industrial Area, MIDC, Juinagar, Navi Mumbai 400705, India

☎ +91-22-4967-1438 · ☎ +91-22-4967-1439 · o.ashar@wiska.in · www.wiska.in

## Spare parts

|                               |          |
|-------------------------------|----------|
| SP-VARI-OTE/MCCB/25kA         | 22000390 |
| SP-VARI-OTE-PI/CL             | 22000391 |
| SP-VARI-OTE/SPACER            | 22000392 |
| SP-VARI-OT-OTE/SF-FS/NUTS     | 22000397 |
| SP-VARI-SI/OTE                | 22000399 |
| SP-CAP NUTS M6                | 22000402 |
| SP-BC/FS-CEE/BELT/32A         | 22000403 |
| SP-VARI-OTE/25kA/BC/NUTS      | 22000662 |
| SP-VARI-OT-OTE/SLIDING WASHER | 22000694 |

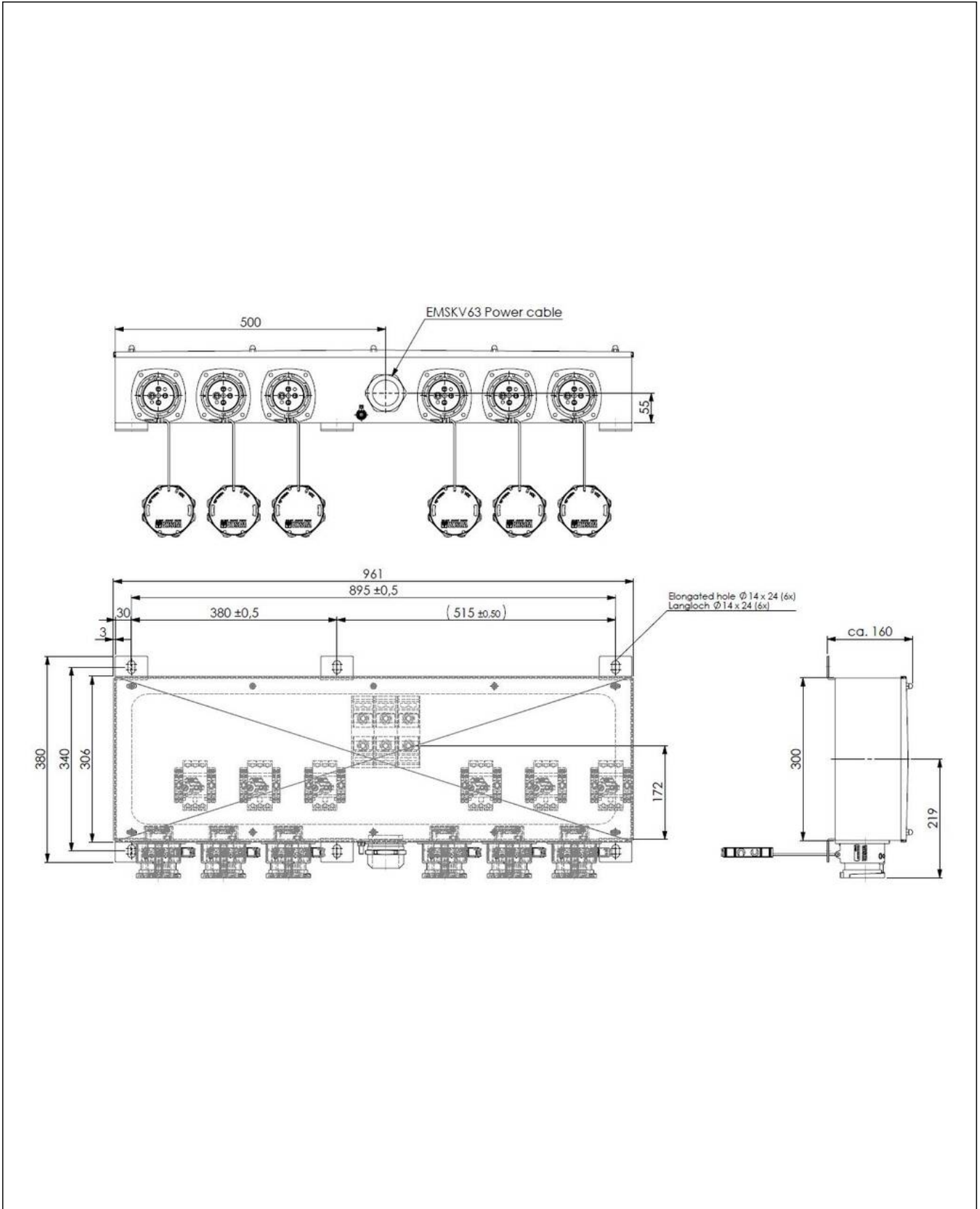
12.05.2026

Your Contact:

**WISKA India Pvt. Ltd.**

Mr. Omkar Ashar · Unit No.247/248,Raheja Tesla Industrial District II , Edison Bldg No.-1A,  
Plot No.GEN2/1/C/PART, TTC Industrial Area, MIDC, Juinagar, Navi Mumbai 400705, India

☎ +91-22-4967-1438 · ☎ +91-22-4967-1439 · o.ashar@wiska.in · www.wiska.in



Your Contact:

**WISKA India Pvt. Ltd.**

Mr. Omkar Ashar · Unit No.247/248,Raheja Tesla Industrial District II , Edison Bldg No.-1A,  
Plot No.GEN2/1/C/PART, TTC Industrial Area, MIDC, Juinagar, Navi Mumbai 400705, India

☎ +91-22-4967-1438 · ☎ +91-22-4967-1439 · o.ashar@wiska.in · www.wiska.in