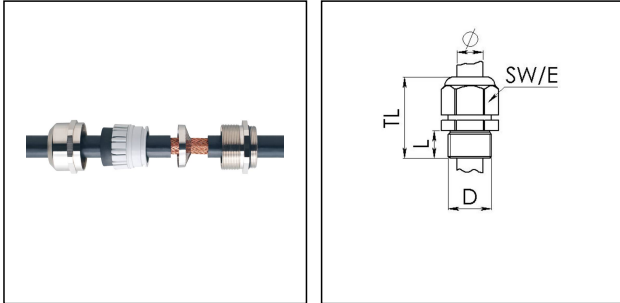


## ESSKV 16 EMV-S

EMC-cable gland, stainless steel A2 with short thread, M16



Products may differ in size, colour and appearance to those shown. If you require further information or customisation, please contact us directly.



<b>Material cable gland</b>	Stainless steel A2 (1.4305)
<b>Material sealing gasket</b>	EPDM
<b>Material clamping cage</b>	Polyamide
<b>Material earthing insert</b>	Stainless steel 1.4310
<b>Temp. range min</b>	-40 °C
<b>Temp. range max</b>	100 °C
<b>Protection class</b>	IP68 (5 bar 30 min), IP69
<b>Thread type</b>	M
<b>Ø Connection thread D</b>	16
<b>Lead</b>	1,5
<b>Length screw-in thread L</b>	5 mm
<b>Ø cable diameter min</b>	4,5 mm
<b>Ø cable diameter max</b>	10 mm
<b>Cable Ø shield external</b>	3 mm - 9 mm
<b>Key width SW</b>	22 mm
<b>Collar diameter (E)</b>	24 mm
<b>Total length TL</b>	26 mm - 34 mm
<b>Type of cable anchorage</b>	A
<b>Install. torques cap nut</b>	4 N m
<b>Install. torques fitting</b>	4 N m
<b>Impact category</b>	6
<b>WISKA-Order no.</b>	10104385
<b>Type</b>	ESSKV 16 EMV-S
<b>Packing unit</b>	10
<b>Tariff number</b>	73269098

Your Contact:

WISKA India Pvt. Ltd.

Mr. Omkar Ashar · Unit No.247/248,Raheja Tesla Industrial District II , Edison Bldg No.-1A,  
Plot No.GEN2/1/C/PART, TTC Industrial Area, MIDC, Juinagar, Navi Mumbai 400705, India

☎ +91-22-4967-1438 · ☎ +91-22-4967-1439 · o.ashar@wiska.in · www.wiska.in

<b>EAN number</b>	4007686016857
<b>ETIM-Classification</b>	EC000441

#### Recommended accessories

<b>RDE 16</b>	10062184
<b>BS 10</b>	10064008
<b>ESMU 16</b>	10064189

23.05.2026

Your Contact:

**WISKA India Pvt. Ltd.**

Mr. Omkar Ashar · Unit No.247/248,Raheja Tesla Industrial District II , Edison Bldg No.-1A,  
Plot No.GEN2/1/C/PART, TTC Industrial Area, MIDC, Juinagar, Navi Mumbai 400705, India

☎ +91-22-4967-1438 · ☎ +91-22-4967-1439 · o.ashar@wiska.in · www.wiska.in



Your Contact:

**WISKA India Pvt. Ltd.**

Mr. Omkar Ashar · Unit No.247/248,Raheja Tesla Industrial District II , Edison Bldg No.-1A,  
Plot No.GEN2/1/C/PART, TTC Industrial Area, MIDC, Juinagar, Navi Mumbai 400705, India

☎ +91-22-4967-1438 · ☎ +91-22-4967-1439 · o.ashar@wiska.in · www.wiska.in

Other technical data on request / subject to change without notice