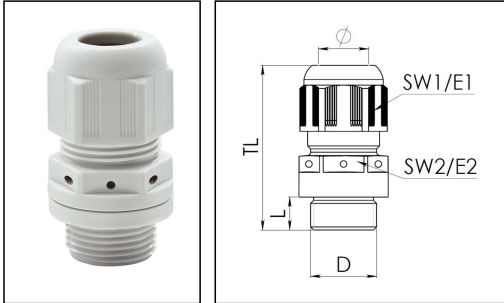


## ESVG 16 LG

Pressure compensation cable gland, polyamide, RAL 7035, M16



Products may differ in size, colour and appearance to those shown. If you require further information or customisation, please contact us directly.



<b>Material cable gland</b>	Polyamide
<b>Material membrane</b>	ePTFE
<b>Material sealing gasket</b>	EPDM
<b>Airflow at 70mbar</b>	52 l/h
<b>Temp. range min</b>	-40 °C
<b>Temp. range max</b>	100 °C
<b>Glow wire test</b>	750 °C
<b>Protection class</b>	IP68 / IP69
<b>Thread type</b>	M
<b>Ø Connection thread D</b>	16
<b>Lead</b>	1,5
<b>Length screw-in thread L</b>	9 mm
<b>Ø cable diameter min</b>	4,5 mm
<b>Ø cable diameter max</b>	10 mm
<b>Key width SW1</b>	20 mm
<b>Key width SW2</b>	22 mm
<b>Collar diameter E1</b>	22 mm
<b>Collar diameter E2</b>	24 mm
<b>Install. torques fitting</b>	2 N m
<b>Install. torques cap nut</b>	1,5 N m
<b>Total length TL</b>	37 mm - 43 mm
<b>Equipment</b>	Incl. connection thread gasket
<b>Product Color</b>	RAL 7035
<b>Order no. RAL 7035</b>	10104412
<b>Type</b>	ESVG 16 LG

Your Contact:

WISKA India Pvt. Ltd.

Mr. Omkar Ashar · Unit No.247/248,Raheja Tesla Industrial District II , Edison Bldg No.-1A,  
Plot No.GEN2/1/C/PART, TTC Industrial Area, MIDC, Juinagar, Navi Mumbai 400705, India

☎ +91-22-4967-1438 · ☎ +91-22-4967-1439 · o.ashar@wiska.in · www.wiska.in

<b>Packing unit</b>	1
<b>EAN number</b>	4007686001266
<b>Tariff number</b>	39269097
<b>ETIM-Classification</b>	EC000441

#### Recommended accessories

<b>EMUG 16 LG</b>	10060771
<b>RDE 16</b>	10062184
<b>BS 10</b>	10064008
<b>MFD 16/02/040</b>	10064393
<b>MFD 16/03/021</b>	10101014

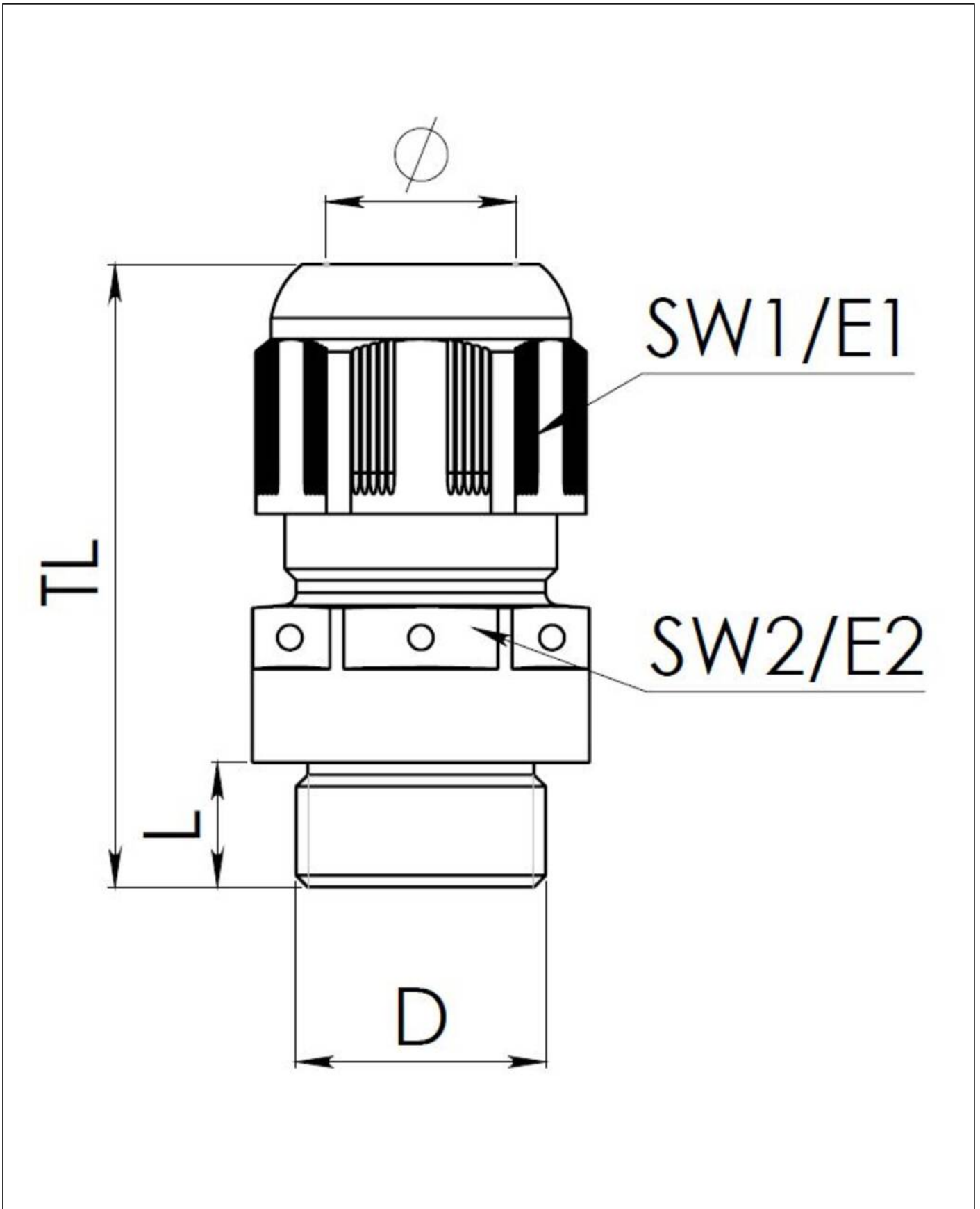
12.05.2026

Your Contact:

**WISKA India Pvt. Ltd.**

Mr. Omkar Ashar · Unit No.247/248,Raheja Tesla Industrial District II , Edison Bldg No.-1A,  
Plot No.GEN2/1/C/PART, TTC Industrial Area, MIDC, Juinagar, Navi Mumbai 400705, India

☎ +91-22-4967-1438 · ☎ +91-22-4967-1439 · o.ashar@wiska.in · www.wiska.in



Your Contact:

**WISKA India Pvt. Ltd.**

Mr. Omkar Ashar · Unit No.247/248, Raheja Tesla Industrial District II, Edison Bldg No.-1A,  
Plot No.GEN2/1/C/PART, TTC Industrial Area, MIDC, Juinagar, Navi Mumbai 400705, India

☎ +91-22-4967-1438 · ☎ +91-22-4967-1439 · o.ashar@wiska.in · www.wiska.in

Other technical data on request / subject to change without notice