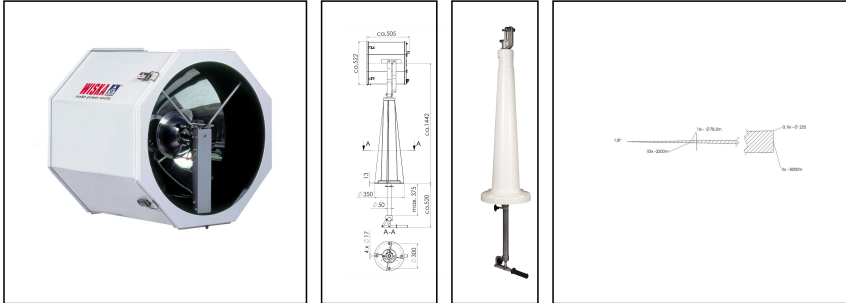


SX450 -1000-EI(220)-P10

Searchlight with Xenon lamp Ø 450mm 1000W 230V



Products may differ in size, colour and appearance to those shown. If you require further information or customisation, please contact us directly.

WISKA-Order no.	10105465
Type	SX450 -1000-EI(220)-P10
Material	Stainless steel
Wattage	1000 W
Colour	RAL 9016
Surface	Powder coated
Voltage	230 V
Type of Voltage	AC
Frequence	50/60 Hz
Protection class	IP56
Operational areas	Outdoor
Reflector	Glass
Focusing	fixed focus
Lightsource	Xenon lamp
Lightsource incl.	Yes
Luminous flux	32000 lm
Average lamp durability	2000 h
Light performance	immediately
Range (1 lux)	8000 m
Light intensity mio/cd	64
Divergence	1,8°I/10
Temp. range min	-25 °C
Temp. range max	45 °C
Power supply, electronic	PSUX-E: 1000W indoor
Type of cable gland	ESKVS 32, ESKVS 20

Your Contact:

WISKA India Pvt. Ltd.

Mr. Omkar Ashar · Unit No.247/248,Raheja Tesla Industrial District II , Edison Bldg No.-1A,
Plot No.GEN2/1/C/PART, TTC Industrial Area, MIDC, Juinagar, Navi Mumbai 400705, India

☎ +91-22-4967-1438 · ☎ +91-22-4967-1439 · o.ashar@wiska.in · www.wiska.in

Material cable gland	Polyamide
Type of cable	non-armoured
Globe colour	Clear
Mounting	Upside
Weight	82 kg
Tariff number	94054910

Remarks:

SX450: Searchlight with xenon short arc lamp 1000W, IP56 glass parabolic mirror 450mm
1000W
E(220): Electronic ballast unit 220-240V 50-60Hz operating voltage, Inside IP44+FAN
P10: Cabin Control with Pedestal, CP 400/450, aluminium

Equipment:

- Toughened front glass
- Rubber sealing
- Quick fastening devices
- Ignition unit
- Stand-by heater
- Connection cable 3m
- Anti dazzle screen

Spare parts

SP-S-450 front frame + front glass	22000018
SP-SX/SH-450 Primary mirror	22000019
SP-SX/SH-450 Auxiliary reflector 100mm	22000020
SP-SX450 Xenon lamp 1000W	22000022
SP-SX450-Ignition unit XBO 1000W	22000035
SP-S-Quick releases clamp (4 pcs)	22000050
SP-SW-Gasket for searchlight housing	22000116
SP-SX450-PSUX-E-V4 Mounting plate 1000W	22000797

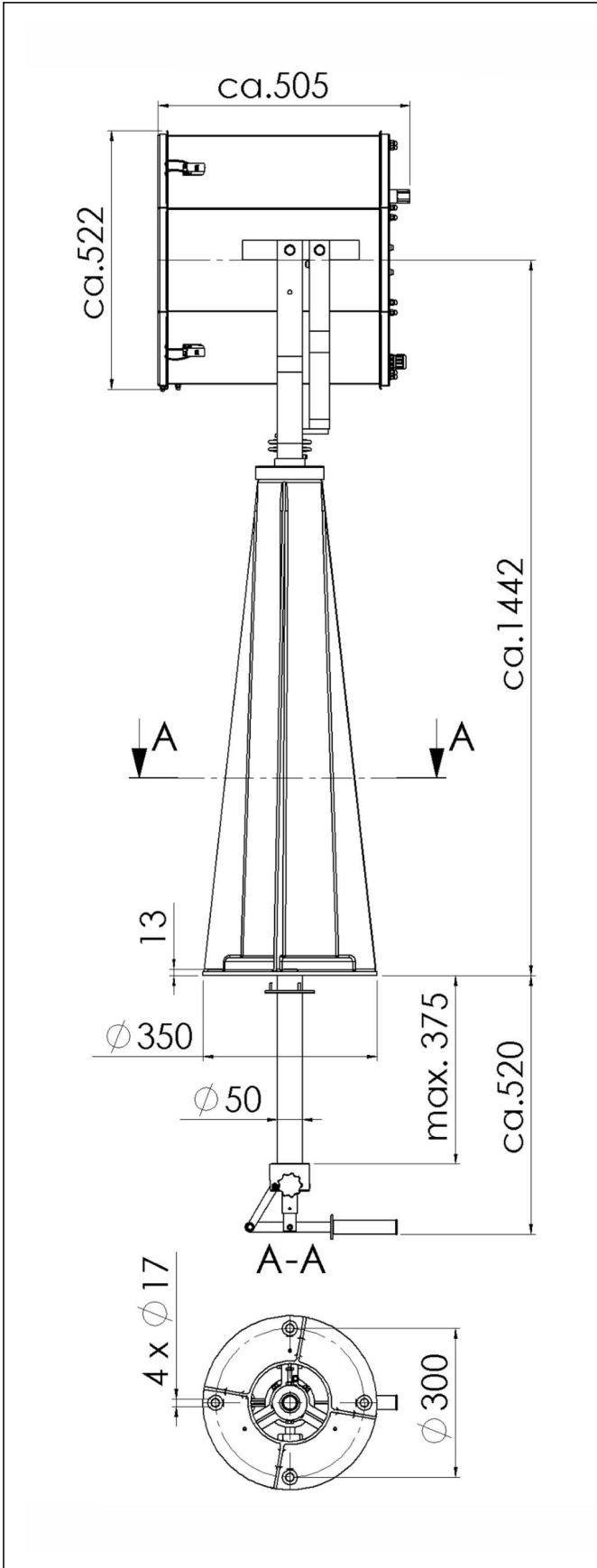
12.05.2026

Your Contact:

WISKA India Pvt. Ltd.

Mr. Omkar Ashar · Unit No.247/248,Raheja Tesla Industrial District II , Edison Bldg No.-1A,
Plot No.GEN2/1/C/PART, TTC Industrial Area, MIDC, Juinagar, Navi Mumbai 400705, India

☎ +91-22-4967-1438 · ☎ +91-22-4967-1439 · o.ashar@wiska.in · www.wiska.in

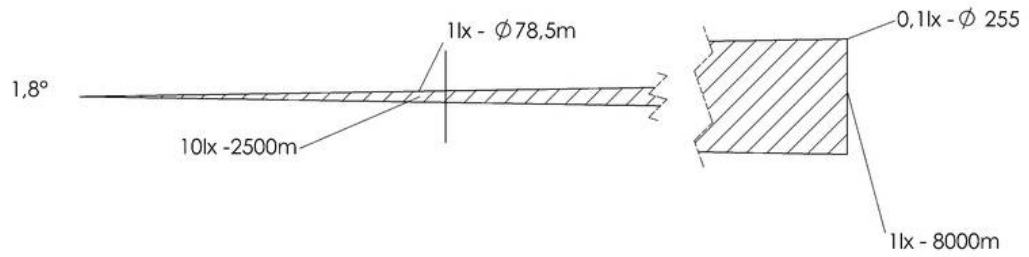


Your Contact:

WISKA India Pvt. Ltd.

Mr. Omkar Ashar · Unit No.247/248,Raheja Tesla Industrial District II , Edison Bldg No.-1A,
Plot No.GEN2/1/C/PART, TTC Industrial Area, MIDC, Juinagar, Navi Mumbai 400705, India

☎ +91-22-4967-1438 · ☎ +91-22-4967-1439 · o.ashar@wiska.in · www.wiska.in



Your Contact:

WISKA India Pvt. Ltd.

Mr. Omkar Ashar · Unit No.247/248,Raheja Tesla Industrial District II , Edison Bldg No.-1A,
Plot No.GEN2/1/C/PART, TTC Industrial Area, MIDC, Juinagar, Navi Mumbai 400705, India

☎ +91-22-4967-1438 · ☎ +91-22-4967-1439 · o.ashar@wiska.in · www.wiska.in

Other technical data on request / subject to change without notice