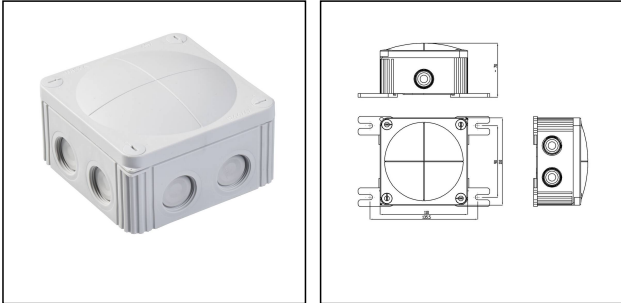


COMBI MAR 607/D11/IP/IN

Junction box COMBI 607, plastic, RAL7035, IP66/67



Products may differ in size, colour and appearance to those shown. If you require further information or customisation, please contact us directly.

| | |
|--------------------------|-------------------------|
| Type | COMBI MAR 607/D11/IP/IN |
| WISKA-Order no. | 10105616 |
| Material | Polypropylene |
| Protection class | IP66 / IP67 |
| Temp. range min | -30 °C |
| Temp. range max | 55 °C |
| Operational areas | Indoor / Outdoor |
| Range of use | Network system |
| for camera | IP |
| Mounting | Surface mounting |
| Colour | RAL 7035 |
| Type of Voltage | POE (IEEE 802.3af) |
| Weight | 0,6 kg |
| Tariff number | 85369010 |

Remarks:

Junction box type COMBI607/D11/IP/IN
 for camera type D11/VC2MP/POE/IN,
 Polypropylene, IP66/67, RAL7035,
 Cable gland: 2x ESKV 20 for cable type
 CAT7 and cable type WISKA MULTI-CAT5GL

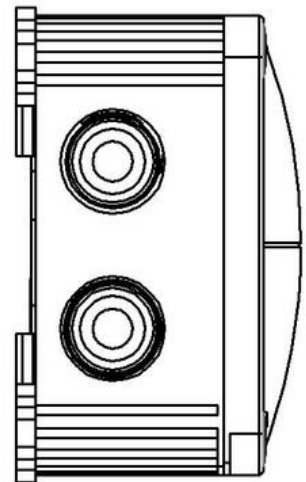
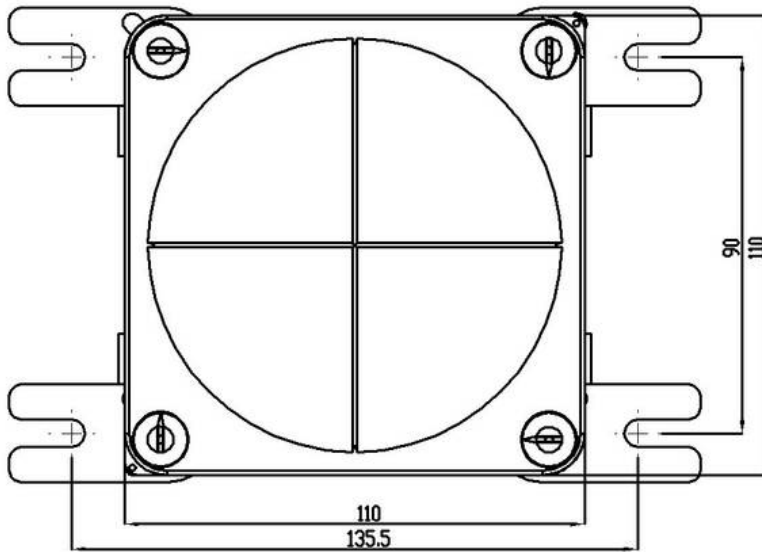
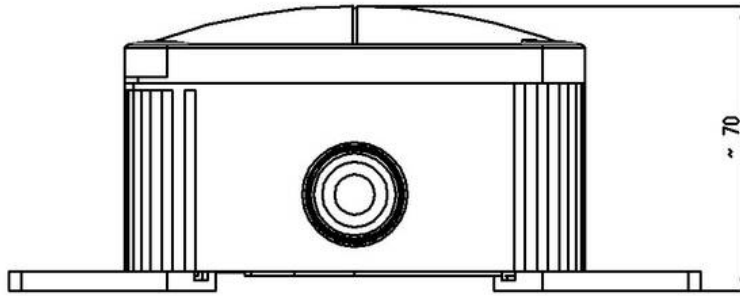
12.05.2026

Your Contact:

WISKA India Pvt. Ltd.

Mr. Omkar Ashar · Unit No.247/248,Raheja Tesla Industrial District II , Edison Bldg No.-1A,
 Plot No.GEN2/1/C/PART, TTC Industrial Area, MIDC, Juinagar, Navi Mumbai 400705, India

☎ +91-22-4967-1438 · ☎ +91-22-4967-1439 · o.ashar@wiska.in · www.wiska.in



Your Contact:

WISKA India Pvt. Ltd.

Mr. Omkar Ashar · Unit No.247/248,Raheja Tesla Industrial District II , Edison Bldg No.-1A,
Plot No.GEN2/1/C/PART, TTC Industrial Area, MIDC, Juinagar, Navi Mumbai 400705, India

☎ +91-22-4967-1438 · ☎ +91-22-4967-1439 · o.ashar@wiska.in · www.wiska.in