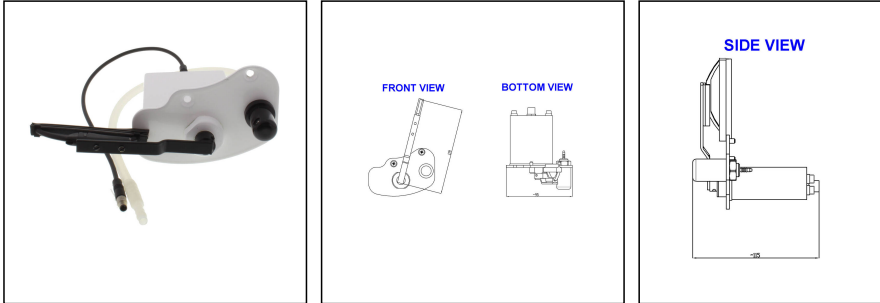


WIPER UNIT/CH-S240

Wiper motor unit complete set



Products may differ in size, colour and appearance to those shown. If you require further information or customisation, please contact us directly.

Type	WIPER UNIT/CH-S240
WISKA-Order no.	10105801
Material	Stainless steel
Colour	RAL 9016
Operational areas	Outdoor
Temp. range min	-25 °C
Temp. range max	55 °C
Mounting	Plug & Play
Interface	plug&play pre-installed
Tariff number	85255000

Remarks:

Wiper unit for camera type CH-S240,
Including servo, wiper and
water nozzle. Also for add-on mounting
(CH-S240 camera series only)
Color: RAL9016
Plug-and-Play
Wash water tank type WTC 10l) or
type WT (2l) not included

12.05.2026

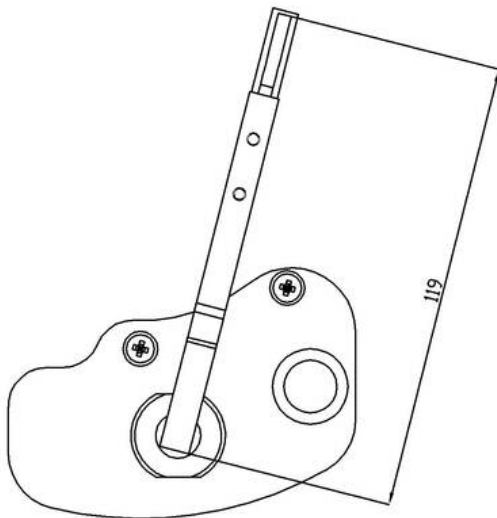
Your Contact:

WISKA India Pvt. Ltd.

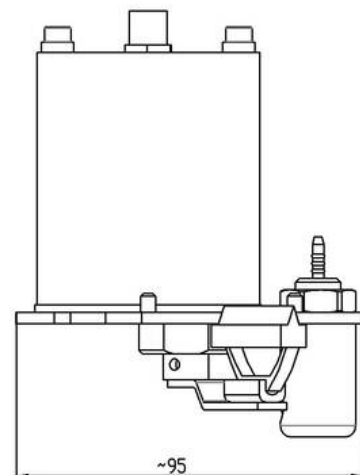
Mr. Omkar Ashar · Unit No.247/248,Raheja Tesla Industrial District II , Edison Bldg No.-1A,
Plot No.GEN2/1/C/PART, TTC Industrial Area, MIDC, Juinagar, Navi Mumbai 400705, India

☎ +91-22-4967-1438 · ☎ +91-22-4967-1439 · o.ashar@wiska.in · www.wiska.in

FRONT VIEW



BOTTOM VIEW



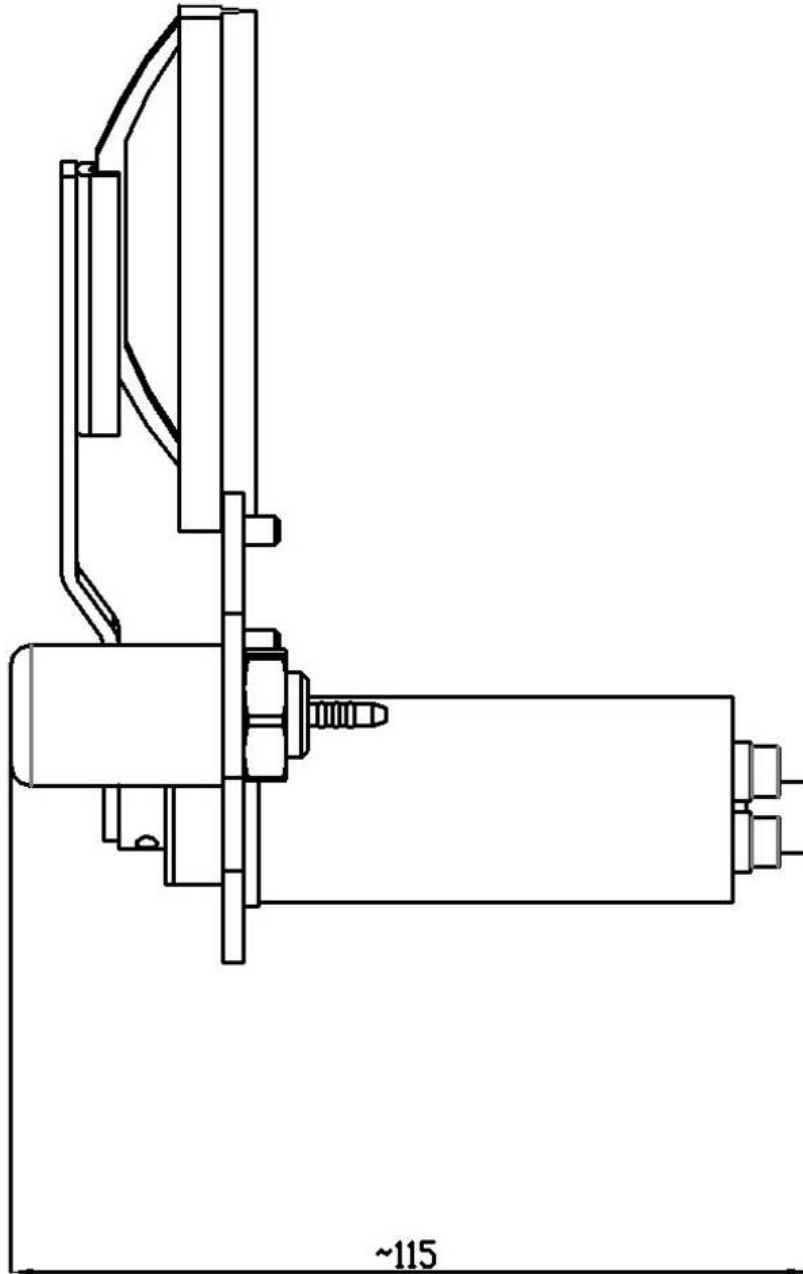
Your Contact:

WISKA India Pvt. Ltd.

Mr. Omkar Ashar · Unit No.247/248,Raheja Tesla Industrial District II , Edison Bldg No.-1A,
Plot No.GEN2/1/C/PART, TTC Industrial Area, MIDC, Juinagar, Navi Mumbai 400705, India

☎ +91-22-4967-1438 · ☎ +91-22-4967-1439 · o.ashar@wiska.in · www.wiska.in

SIDE VIEW



Your Contact:

WISKA India Pvt. Ltd.

Mr. Omkar Ashar · Unit No.247/248,Raheja Tesla Industrial District II , Edison Bldg No.-1A,
Plot No.GEN2/1/C/PART, TTC Industrial Area, MIDC, Juinagar, Navi Mumbai 400705, India

☎ +91-22-4967-1438 · ☎ +91-22-4967-1439 · o.ashar@wiska.in · www.wiska.in