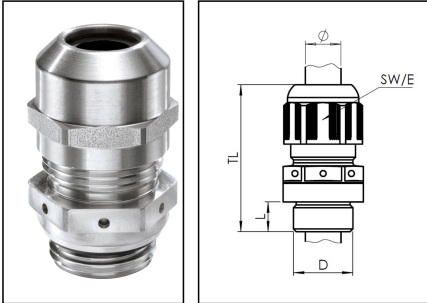


ESSVG 20 EMV-Z RW

EMC Railway pressure compensation cable gland, stainless steel, M20



Products may differ in size, colour and appearance to those shown. If you require further information or customisation, please contact us directly.



Material cable gland	Edelstahl A2 (1.4305)
Material sealing gasket	EPDM
Material clamping cage	Polyamide UL94-V0
Material earthing insert	Brass plated
Material membrane	ePTFE
Airflow at 70mbar	55 l/h
Protection class	IP68
Thread type	M
Ø Connection thread D	20
Lead	1,5
Length screw-in thread L	6 mm
Temp. range min	-40 °C
Temp. range max	100 °C
Ø cable diameter min	6 mm
Ø cable diameter max	13 mm
Ø cable below cable shield max	9,5 mm
Key width SW	24 mm
Collar diameter (E)	27 mm
Total length TL	41 mm - 50 mm
Install. torques fitting	8 N m
Install. torques cap nut	8 N m
WISKA-Order no.	10105915
Type	ESSVG 20 EMV-Z RW
Packing unit	1
EAN number	4007686013771

Your Contact:

WISKA India Pvt. Ltd.

Mr. Omkar Ashar · Unit No.247/248,Raheja Tesla Industrial District II , Edison Bldg No.-1A,
Plot No.GEN2/1/C/PART, TTC Industrial Area, MIDC, Juinagar, Navi Mumbai 400705, India

☎ +91-22-4967-1438 · ☎ +91-22-4967-1439 · o.ashar@wiska.in · www.wiska.in

Tariff number	73269098
ETIM-Classification	EC000441

Recommended accessories

BS 13	10064010
ESMU 20	10064190
RDE 20 RW	10105372
MFD 20/02/050 RW	10105931
MFD 20/03/040 RW	10105932

27.06.2026

Your Contact:

WISKA India Pvt. Ltd.

Mr. Omkar Ashar · Unit No.247/248,Raheja Tesla Industrial District II , Edison Bldg No.-1A,
Plot No.GEN2/1/C/PART, TTC Industrial Area, MIDC, Juinagar, Navi Mumbai 400705, India

☎ +91-22-4967-1438 · ☎ +91-22-4967-1439 · o.ashar@wiska.in · www.wiska.in



Your Contact:

WISKA India Pvt. Ltd.

Mr. Omkar Ashar · Unit No.247/248, Raheja Tesla Industrial District II , Edison Bldg No.-1A,
Plot No.GEN2/1/C/PART, TTC Industrial Area, MIDC, Juinagar, Navi Mumbai 400705, India

☎ +91-22-4967-1438 · ☎ +91-22-4967-1439 · o.ashar@wiska.in · www.wiska.in

Other technical data on request / subject to change without notice