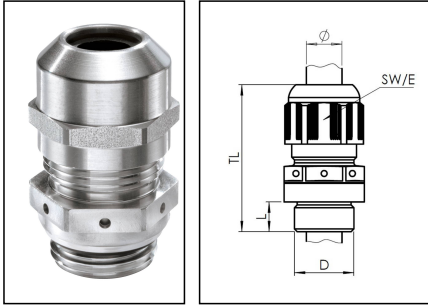


ESSVG 32 EMV-Z RW

EMC Railway pressure compensation cable gland, stainless steel, M32



Products may differ in size, colour and appearance to those shown. If you require further information or customisation, please contact us directly.



Material cable gland	Edelstahl A2 (1.4305)
Material sealing gasket	EPDM
Material clamping cage	Polyamide UL94-V0
Material earthing insert	Brass plated
Material membrane	ePTFE
Airflow at 70mbar	115 l/h
Protection class	IP68
Thread type	M
Ø Connection thread D	32
Lead	1,5
Length screw-in thread L	8 mm
Temp. range min	-40 °C
Temp. range max	100 °C
Ø cable diameter min	13 mm
Ø cable diameter max	21 mm
Ø cable below cable shield max	20 mm
Key width SW	36 mm
Collar diameter (E)	40 mm
Total length TL	47 mm - 56 mm
Install. torques fitting	20 N m
Install. torques cap nut	20 N m
WISKA-Order no.	10105917
Type	ESSVG 32 EMV-Z RW
Packing unit	1
EAN number	4007686013795

Your Contact:

WISKA India Pvt. Ltd.

Mr. Omkar Ashar · Unit No.247/248,Raheja Tesla Industrial District II , Edison Bldg No.-1A,
Plot No.GEN2/1/C/PART, TTC Industrial Area, MIDC, Juinagar, Navi Mumbai 400705, India

☎ +91-22-4967-1438 · ☎ +91-22-4967-1439 · o.ashar@wiska.in · www.wiska.in

Tariff number	73269098
ETIM-Classification	EC000441

Recommended accessories

BS 21	10064014
ESMU 32	10064192
RDE 32 RW	10105374
MFD 32/04/080 RW	10105547
MFD 32/03/080 RW	10105552
MFD 32/01/115-01/050 RW	10105553

27.06.2026

Your Contact:

WISKA India Pvt. Ltd.

Mr. Omkar Ashar · Unit No.247/248,Raheja Tesla Industrial District II , Edison Bldg No.-1A,
Plot No.GEN2/1/C/PART, TTC Industrial Area, MIDC, Juinagar, Navi Mumbai 400705, India

☎ +91-22-4967-1438 · ☎ +91-22-4967-1439 · o.ashar@wiska.in · www.wiska.in



Your Contact:

WISKA India Pvt. Ltd.

Mr. Omkar Ashar · Unit No.247/248,Raheja Tesla Industrial District II , Edison Bldg No.-1A,
Plot No.GEN2/1/C/PART, TTC Industrial Area, MIDC, Juinagar, Navi Mumbai 400705, India

☎ +91-22-4967-1438 · ☎ +91-22-4967-1439 · o.ashar@wiska.in · www.wiska.in

Other technical data on request / subject to change without notice