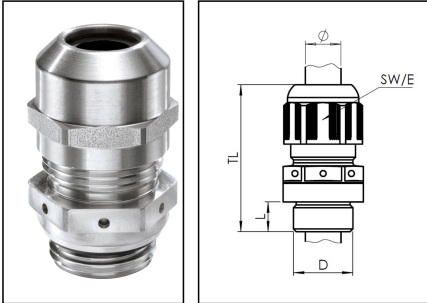


## ESSVG 40 EMV-Z RW

EMC Railway pressure compensation cable gland, stainless steel, M40



Products may differ in size, colour and appearance to those shown. If you require further information or customisation, please contact us directly.



Material cable gland	Edelstahl A2 (1.4305)
Material sealing gasket	EPDM
Material clamping cage	Polyamide UL94-V0
Material earthing insert	Brass plated
Material membrane	ePTFE
Airflow at 70mbar	150 l/h
Protection class	IP68
Thread type	M
Ø Connection thread D	40
Lead	1,5
Length screw-in thread L	8 mm
Temp. range min	-40 °C
Temp. range max	100 °C
Ø cable diameter min	16 mm
Ø cable diameter max	28 mm
Ø cable below cable shield max	26 mm
Key width SW	46 mm
Collar diameter (E)	50 mm
Total length TL	57 mm - 70 mm
Install. torques fitting	20 N m
Install. torques cap nut	20 N m
WISKA-Order no.	10105918
Type	ESSVG 40 EMV-Z RW
Packing unit	1
EAN number	4007686013801

Your Contact:

WISKA India Pvt. Ltd.

Mr. Omkar Ashar · Unit No.247/248,Raheja Tesla Industrial District II , Edison Bldg No.-1A,  
Plot No.GEN2/1/C/PART, TTC Industrial Area, MIDC, Juinagar, Navi Mumbai 400705, India

☎ +91-22-4967-1438 · ☎ +91-22-4967-1439 · o.ashar@wiska.in · www.wiska.in

<b>Tariff number</b>	73269098
<b>ETIM-Classification</b>	EC000441

## Recommended accessories

<b>BS 28</b>	10064016
<b>ESMU 40</b>	10064193
<b>RDE 40 RW</b>	10105375
<b>MFD 40/02/120-01/070 RW</b>	10105546
<b>MFD 40/04/100 RW</b>	10105933
<b>MFD 40/07/070 RW</b>	10105934

27.06.2026

Your Contact:

**WISKA India Pvt. Ltd.**

Mr. Omkar Ashar · Unit No.247/248,Raheja Tesla Industrial District II , Edison Bldg No.-1A,  
Plot No.GEN2/1/C/PART, TTC Industrial Area, MIDC, Juinagar, Navi Mumbai 400705, India

☎ +91-22-4967-1438 · ☎ +91-22-4967-1439 · o.ashar@wiska.in · www.wiska.in



Your Contact:

**WISKA India Pvt. Ltd.**

Mr. Omkar Ashar · Unit No.247/248, Raheja Tesla Industrial District II , Edison Bldg No.-1A,  
Plot No.GEN2/1/C/PART, TTC Industrial Area, MIDC, Juinagar, Navi Mumbai 400705, India

☎ +91-22-4967-1438 · ☎ +91-22-4967-1439 · o.ashar@wiska.in · www.wiska.in

Other technical data on request / subject to change without notice