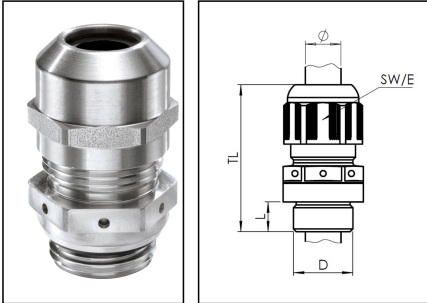


## ESSVG 20 LT EMV-Z RW

EMC Railway pressure compensation cable gland, LowTemp, stainless steel, M20



Products may differ in size, colour and appearance to those shown. If you require further information or customisation, please contact us directly.



<b>Material cable gland</b>	Edelstahl A2 (1.4305)
<b>Material sealing gasket</b>	Silicone
<b>Material clamping cage</b>	Polyamide UL94-V0
<b>Material earthing insert</b>	Brass plated
<b>Material membrane</b>	ePTFE
<b>Airflow at 70mbar</b>	55 l/h
<b>Protection class</b>	IP68
<b>Thread type</b>	M
<b>Ø Connection thread D</b>	20
<b>Lead</b>	1,5
<b>Length screw-in thread L</b>	6 mm
<b>Temp. range min</b>	-60 °C
<b>Temp. range max</b>	100 °C
<b>Ø cable diameter min</b>	6 mm
<b>Ø cable diameter max</b>	13 mm
<b>Ø cable below cable shield max</b>	9,5 mm
<b>Key width SW</b>	24 mm
<b>Collar diameter (E)</b>	27 mm
<b>Total length TL</b>	41 mm - 50 mm
<b>Install. torques fitting</b>	8 N m
<b>Install. torques cap nut</b>	8 N m
<b>WISKA-Order no.</b>	10105921
<b>Type</b>	ESSVG 20 LT EMV-Z RW
<b>Packing unit</b>	1
<b>EAN number</b>	4007686013832

Your Contact:

WISKA India Pvt. Ltd.

Mr. Omkar Ashar · Unit No.247/248,Raheja Tesla Industrial District II , Edison Bldg No.-1A,  
Plot No.GEN2/1/C/PART, TTC Industrial Area, MIDC, Juinagar, Navi Mumbai 400705, India

☎ +91-22-4967-1438 · ☎ +91-22-4967-1439 · o.ashar@wiska.in · www.wiska.in

<b>Tariff number</b>	73269098
<b>ETIM-Classification</b>	EC000441

## Recommended accessories

<b>RDE 20 LT</b>	10063909
<b>BS 13</b>	10064010
<b>ESMU 20</b>	10064190
<b>ORD-S 20</b>	10101759

24.06.2026

Your Contact:

**WISKA India Pvt. Ltd.**

Mr. Omkar Ashar · Unit No.247/248,Raheja Tesla Industrial District II , Edison Bldg No.-1A,  
Plot No.GEN2/1/C/PART, TTC Industrial Area, MIDC, Juinagar, Navi Mumbai 400705, India

☎ +91-22-4967-1438 · ☎ +91-22-4967-1439 · o.ashar@wiska.in · www.wiska.in



Your Contact:

**WISKA India Pvt. Ltd.**

Mr. Omkar Ashar · Unit No.247/248, Raheja Tesla Industrial District II , Edison Bldg No.-1A,  
Plot No.GEN2/1/C/PART, TTC Industrial Area, MIDC, Juinagar, Navi Mumbai 400705, India

☎ +91-22-4967-1438 · ☎ +91-22-4967-1439 · o.ashar@wiska.in · www.wiska.in

Other technical data on request / subject to change without notice