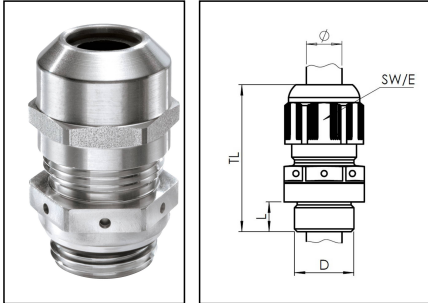


ESSVG 63 LT EMV-Z RW

EMC Railway pressure compensation cable gland, LowTemp, stainless steel, M63



Products may differ in size, colour and appearance to those shown. If you require further information or customisation, please contact us directly.



Material cable gland	Edelstahl A2 (1.4305)
Material sealing gasket	Silicone
Material clamping cage	Polyamide UL94-V0
Material earthing insert	Brass plated
Material membrane	ePTFE
Airflow at 70mbar	285 l/h
Protection class	IP68
Thread type	M
Ø Connection thread D	63
Lead	1,5
Length screw-in thread L	10 mm
Temp. range min	-60 °C
Temp. range max	100 °C
Ø cable diameter min	34 mm
Ø cable diameter max	48 mm
Ø cable below cable shield max	45 mm
Key width SW	68 mm
Collar diameter (E)	75 mm
Total length TL	69 mm - 83 mm
Install. torques fitting	40 N m
Install. torques cap nut	40 N m
WISKA-Order no.	10105926
Type	ESSVG 63 LT EMV-Z RW
Packing unit	1
EAN number	4007686013887

Your Contact:

WISKA India Pvt. Ltd.

Mr. Omkar Ashar · Unit No.247/248,Raheja Tesla Industrial District II , Edison Bldg No.-1A,
Plot No.GEN2/1/C/PART, TTC Industrial Area, MIDC, Juinagar, Navi Mumbai 400705, India

☎ +91-22-4967-1438 · ☎ +91-22-4967-1439 · o.ashar@wiska.in · www.wiska.in

Tariff number	73269098
ETIM-Classification	EC000441

Recommended accessories

RDE 63 LT	10063967
BS 48	10064019
ESMU 63	10064195
ORD-S 63	10101764

24.06.2026

Your Contact:

WISKA India Pvt. Ltd.

Mr. Omkar Ashar · Unit No.247/248,Raheja Tesla Industrial District II , Edison Bldg No.-1A,
Plot No.GEN2/1/C/PART, TTC Industrial Area, MIDC, Juinagar, Navi Mumbai 400705, India

☎ +91-22-4967-1438 · ☎ +91-22-4967-1439 · o.ashar@wiska.in · www.wiska.in



Your Contact:

WISKA India Pvt. Ltd.

Mr. Omkar Ashar · Unit No.247/248,Raheja Tesla Industrial District II , Edison Bldg No.-1A,
Plot No.GEN2/1/C/PART, TTC Industrial Area, MIDC, Juinagar, Navi Mumbai 400705, India

☎ +91-22-4967-1438 · ☎ +91-22-4967-1439 · o.ashar@wiska.in · www.wiska.in