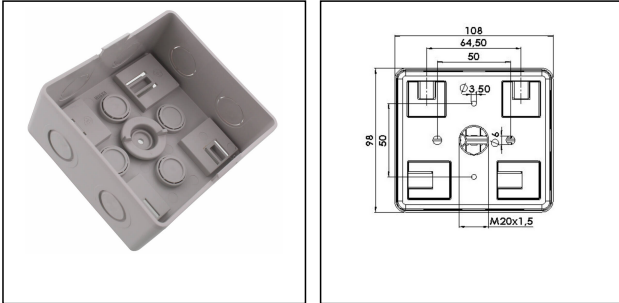


WHK 608U

Housing of WHK 608



Products may differ in size, colour and appearance to those shown. If you require further information or customisation, please contact us directly.



Material	Polystyrene
Temp. range min	-20 °C
Temp. range max	60 °C
Temperatures during install.	-5 °C - 60 °C
Protection class	IP20
Voltage	400 V
Ø cable diameter min	5 mm
Ø cable diameter max	13 mm
External dimensions LxWxH	105 x 95 x 52mm
Product Color	RAL 7035
WISKA-Order no.	10106020
Type	WHK 608U
Packing unit	5
EAN number	4007686015171
Tariff number	39269097

Recommended accessories

MP-S Mounting plate small	10105774
MP-L Mounting plate large COMBI / WHK	10105775
WHK 608SD-2x3p-Ad-v	10106021
WHK 608SD-1x3p-Ad-v	10106022
WHK 608SD-4x3p-Ad-v	10106023
WHK 608SD-2x3p-4x4p-Ad-v	10106024

Your Contact:

WISKA India Pvt. Ltd.

Mr. Omkar Ashar · Unit No.247/248,Raheja Tesla Industrial District II , Edison Bldg No.-1A,
Plot No.GEN2/1/C/PART, TTC Industrial Area, MIDC, Juinagar, Navi Mumbai 400705, India

☎ +91-22-4967-1438 · ☎ +91-22-4967-1439 · o.ashar@wiska.in · www.wiska.in

WHK 608SD-1x4p-Ad-v	10106025
WHK 608SD-4x4p-Ad-v	10106026
WHK 608SD-2x4p-Ad-v	10106027
WHK 608SD-2x3p-1x4p-Ad-v	10106028
WHK 608SD-6x3p-Ad-v	10106029
WHK 608SD-3x3p-Ad-v	10106030
WHK 608SD-3x3p-1x4p-Ad-v	10106031
WHK 608SD-2x5p-Ad-v	10106032
WHK 608SD-4x5p-Ad-v	10106033

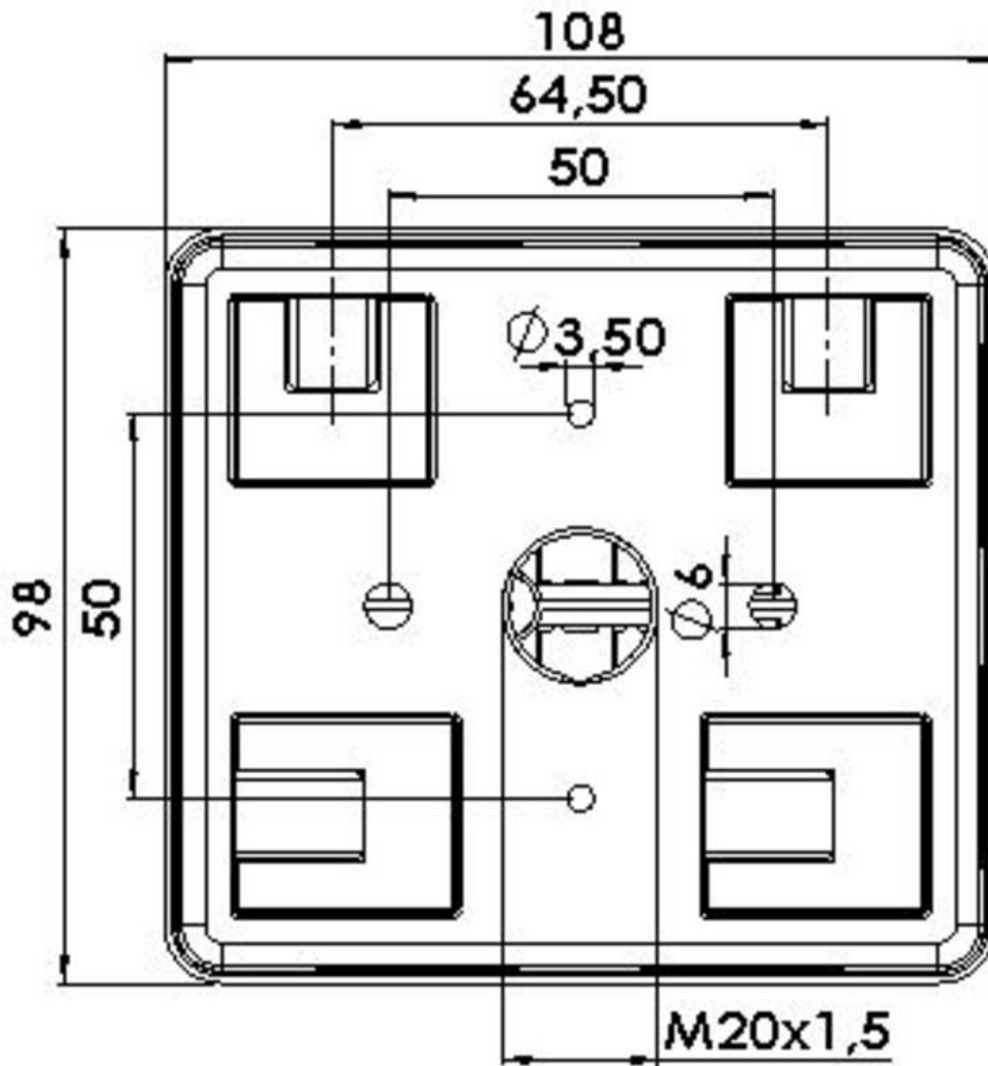
07.07.2026

Your Contact:

WISKA India Pvt. Ltd.

Mr. Omkar Ashar · Unit No.247/248,Raheja Tesla Industrial District II , Edison Bldg No.-1A,
Plot No.GEN2/1/C/PART, TTC Industrial Area, MIDC, Juinagar, Navi Mumbai 400705, India

☎ +91-22-4967-1438 · ☎ +91-22-4967-1439 · o.ashar@wiska.in · www.wiska.in



Your Contact:

WISKA India Pvt. Ltd.

Mr. Omkar Ashar · Unit No.247/248,Raheja Tesla Industrial District II , Edison Bldg No.-1A,
Plot No.GEN2/1/C/PART, TTC Industrial Area, MIDC, Juinagar, Navi Mumbai 400705, India

☎ +91-22-4967-1438 · ☎ +91-22-4967-1439 · o.ashar@wiska.in · www.wiska.in