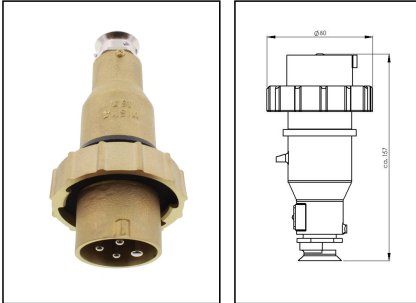


PL-16A-MS-500V-4P-3H-IP56

CEE-plug 16A 500V 3h, brass, IP56



Products may differ in size, colour and appearance to those shown. If you require further information or customisation, please contact us directly.

WISKA-Order no.	10106034
Type	PL-16A-MS-500V-4P-3H-IP56
Material	Brass
Voltage max. (V)	500 V
Current	16 A
Protection class	IP56
Temp. range min	-25 °C
Temp. range max	45 °C
Terminals/poles	3-pole + E
Clock face position	3h
plug insert	CEE
Type of cable gland	M 30 x 2,0
Ø cable diameter max	20,5 mm
Variations	on request
Tariff number	85366990

Remarks:

CEE plug 16A

Material: Brass/red brass, plastic bayonett cap

Equipment: without switch, without locking mechanism, according to

DIN EN 60309, CEE 17/2, IEC 309,

IP56

Terminal/Poles 3-pole + PE

Clock face position protective earth conductor 3h

1 cable entry M30x2

Your Contact:

WISKA India Pvt. Ltd.

Mr. Omkar Ashar · Unit No.247/248,Raheja Tesla Industrial District II , Edison Bldg No.-1A,

Plot No.GEN2/1/C/PART, TTC Industrial Area, MIDC, Juinagar, Navi Mumbai 400705, India

☎ +91-22-4967-1438 · ☎ +91-22-4967-1439 · o.ashar@wiska.in · www.wiska.in

Spare parts

SP-CEE/137/16

22000878

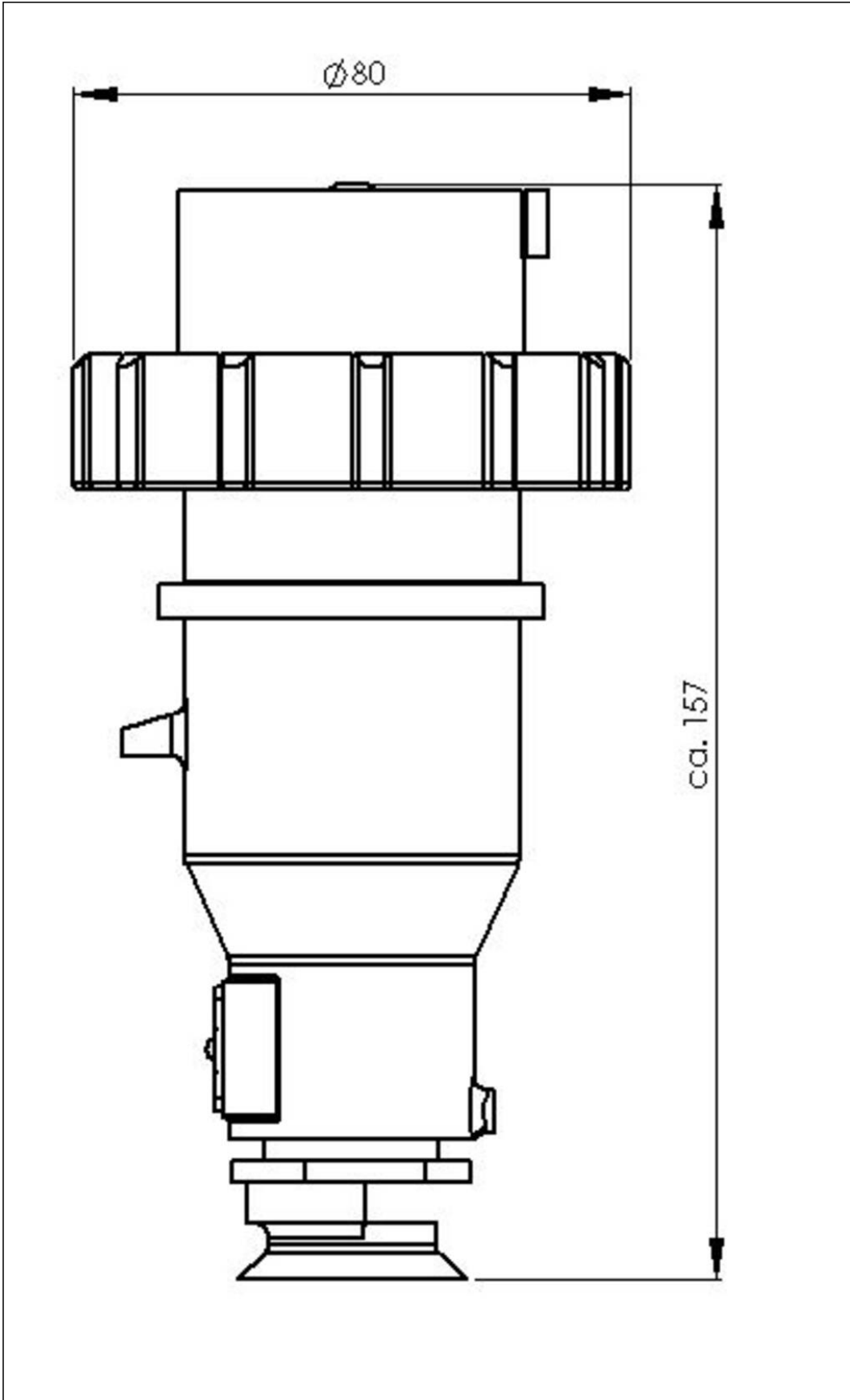
22.05.2026

Your Contact:

WISKA India Pvt. Ltd.

Mr. Omkar Ashar · Unit No.247/248,Raheja Tesla Industrial District II , Edison Bldg No.-1A,
Plot No.GEN2/1/C/PART, TTC Industrial Area, MIDC, Juinagar, Navi Mumbai 400705, India

☎ +91-22-4967-1438 · ☎ +91-22-4967-1439 · o.ashar@wiska.in · www.wiska.in



Your Contact:

WISKA India Pvt. Ltd.

Mr. Omkar Ashar · Unit No.247/248,Raheja Tesla Industrial District II , Edison Bldg No.-1A,
Plot No.GEN2/1/C/PART, TTC Industrial Area, MIDC, Juinagar, Navi Mumbai 400705, India

☎ +91-22-4967-1438 · ☎ +91-22-4967-1439 · o.ashar@wiska.in · www.wiska.in