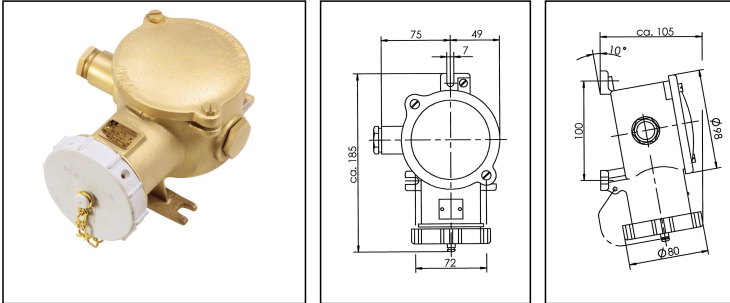


## SO-16A-MS-R-500V-4P-3H-IP56-Z14

CEE-socket 16A 500V 3h, brass, IP56



Products may differ in size, colour and appearance to those shown. If you require further information or customisation, please contact us directly.

<b>WISKA-Order no.</b>	10106100
<b>Type</b>	SO-16A-MS-R-500V-4P-3H-IP56-Z14
<b>Material</b>	Brass
<b>Material protective cap</b>	Polyamide
<b>Voltage max. (V)</b>	500 V
<b>Type of Voltage</b>	AC
<b>Current</b>	16 A
<b>Socket insert</b>	3 - poles + PE
<b>Protection class</b>	IP56
<b>Temp. range min</b>	-25 °C
<b>Temp. range max</b>	45 °C
<b>Clock face position</b>	3h
<b>Type of cable gland</b>	M24x1,5 Z 14 / 12-14,5mm
<b>Ø cable diameter min</b>	12 mm
<b>Ø cable diameter max</b>	14,5 mm
<b>Type of cable</b>	armoured
<b>Mounting</b>	Surface mounting
<b>Weight</b>	2 kg
<b>Variations</b>	on request
<b>Tariff number</b>	85366990

Remarks:

CEE-power socket 16A without switch

Material: Brass/red brass, plastic bayonett cap

Equipment: without switch, without locking mechanism, according to

DIN EN 60309, CEE 17/2, IEC 309,

Your Contact:

**WISKA India Pvt. Ltd.**

Mr. Omkar Ashar · Unit No.247/248,Raheja Tesla Industrial District II , Edison Bldg No.-1A,

Plot No.GEN2/1/C/PART, TTC Industrial Area, MIDC, Juinagar, Navi Mumbai 400705, India

☎ +91-22-4967-1438 · ☎ +91-22-4967-1439 · o.ashar@wiska.in · www.wiska.in

**Protection class: IP56**

**Terminal/Poles 3-pole + PE**

**Clock face position protective earthconductor: 9h**

**cable entry: 1xM24/1,5 -O**

**for armoured cable 10-12,5mm in diameter**

#### Recommended accessories

<b>PL-16A-MS-500V-4P-3H-IP56</b>	10106034
----------------------------------	----------

#### Spare parts

<b>SP-181/4 Terminal block</b>	22000352
<b>SP-SI-CEE/138/16</b>	22000877
<b>SP-BC/FS-CEE/CHAIN/16A</b>	22001011

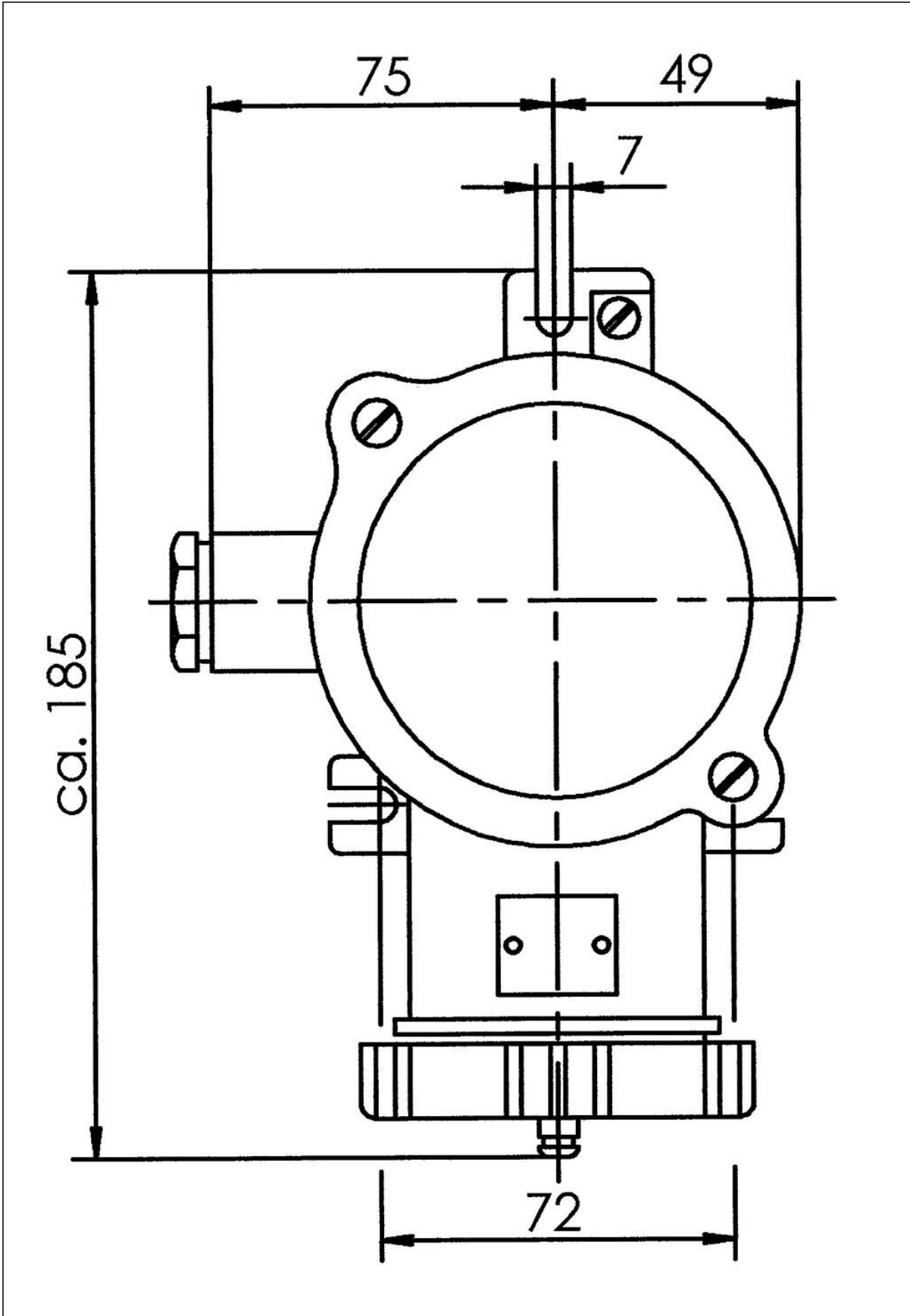
22.05.2026

Your Contact:

**WISKA India Pvt. Ltd.**

Mr. Omkar Ashar · Unit No.247/248,Raheja Tesla Industrial District II , Edison Bldg No.-1A,  
Plot No.GEN2/1/C/PART, TTC Industrial Area, MIDC, Juinagar, Navi Mumbai 400705, India

☎ +91-22-4967-1438 · ☎ +91-22-4967-1439 · o.ashar@wiska.in · www.wiska.in

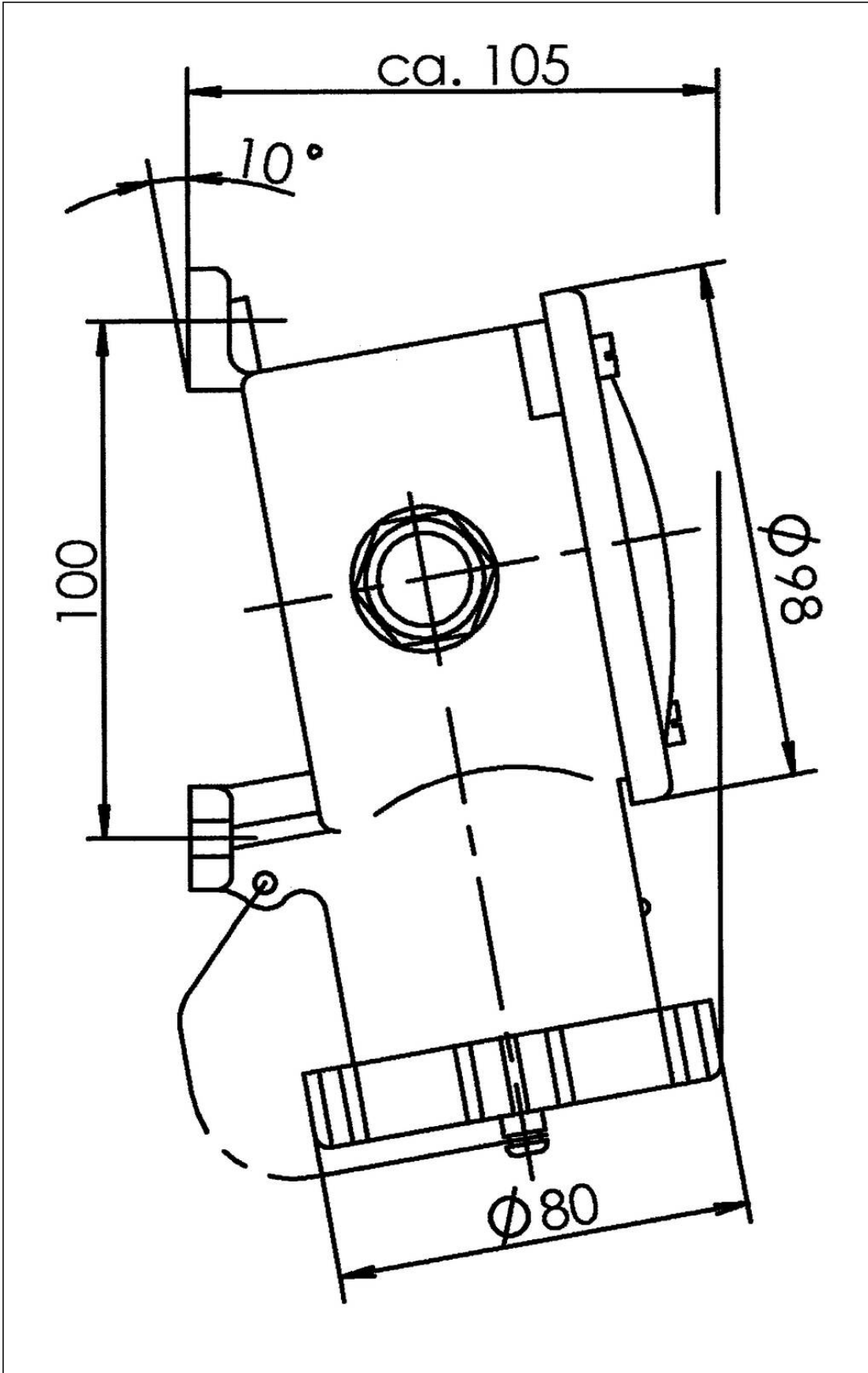


Your Contact:

WISKA India Pvt. Ltd.

Mr. Omkar Ashar · Unit No.247/248, Raheja Tesla Industrial District II , Edison Bldg No.-1A,  
Plot No.GEN2/1/C/PART, TTC Industrial Area, MIDC, Juinagar, Navi Mumbai 400705, India

+91-22-4967-1438 · +91-22-4967-1439 · o.ashar@wiska.in · www.wiska.in



Your Contact:

WISKA India Pvt. Ltd.

Mr. Omkar Ashar · Unit No.247/248, Raheja Tesla Industrial District II, Edison Bldg No.-1A,  
Plot No.GEN2/1/C/PART, TTC Industrial Area, MIDC, Juinagar, Navi Mumbai 400705, India

☎ +91-22-4967-1438 · ☎ +91-22-4967-1439 · o.ashar@wiska.in · www.wiska.in

Other technical data on request / subject to change without notice