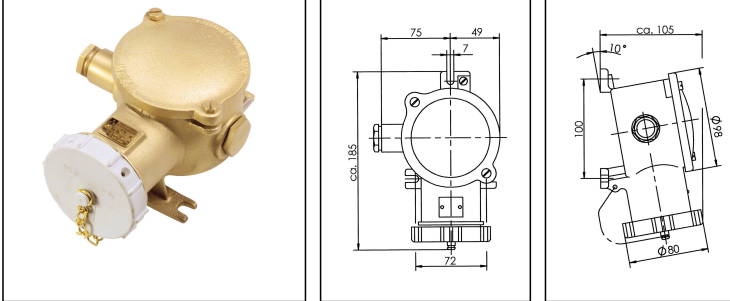


SO-16A-MS-D-500V-4P-3H-IP56-Z14

CEE-socket 16A 500V 3h, brass, IP56



Products may differ in size, colour and appearance to those shown. If you require further information or customisation, please contact us directly.

WISKA-Order no.	10106101
Type	SO-16A-MS-D-500V-4P-3H-IP56-Z14
Material	Brass
Material protective cap	Polyamide
Voltage max. (V)	500 V
Type of Voltage	AC
Current	16 A
Socket insert	3 - poles + PE
Protection class	IP56
Temp. range min	-25 °C
Temp. range max	45 °C
Clock face position	3h
Type of cable gland	M24x1,5 Z 14 / 12-14,5mm
Ø cable diameter min	12 mm
Ø cable diameter max	14,5 mm
Type of cable	armoured
Mounting	Surface mounting
Weight	2,1 kg
Variations	on request
Tariff number	85366990

Remarks:

CEE-power socket 16A without switch

Material: Brass/red brass, plastic bayonett cap

Equipment: without switch, without locking mechanism, according to

DIN EN 60309, CEE 17/2, IEC 309,

Your Contact:

WISKA India Pvt. Ltd.

Mr. Omkar Ashar · Unit No.247/248,Raheja Tesla Industrial District II , Edison Bldg No.-1A,

Plot No.GEN2/1/C/PART, TTC Industrial Area, MIDC, Juinagar, Navi Mumbai 400705, India

☎ +91-22-4967-1438 · ☎ +91-22-4967-1439 · o.ashar@wiska.in · www.wiska.in

Protection class: IP56

Terminal/Poles: 3-pole + PE

Clock face position protective earth conductor: 3h

cable entry: 2xM24/1,5 -O-

for armoured cable 12-14,5mm in diameter

Recommended accessories

PL-16A-MS-500V-4P-3H-IP56	10106034
----------------------------------	----------

Spare parts

SP-181/4 Terminal block	22000352
--------------------------------	----------

SP-SI-CEE/138/16	22000877
-------------------------	----------

SP-BC/FS-CEE/CHAIN/16A	22001011
-------------------------------	----------

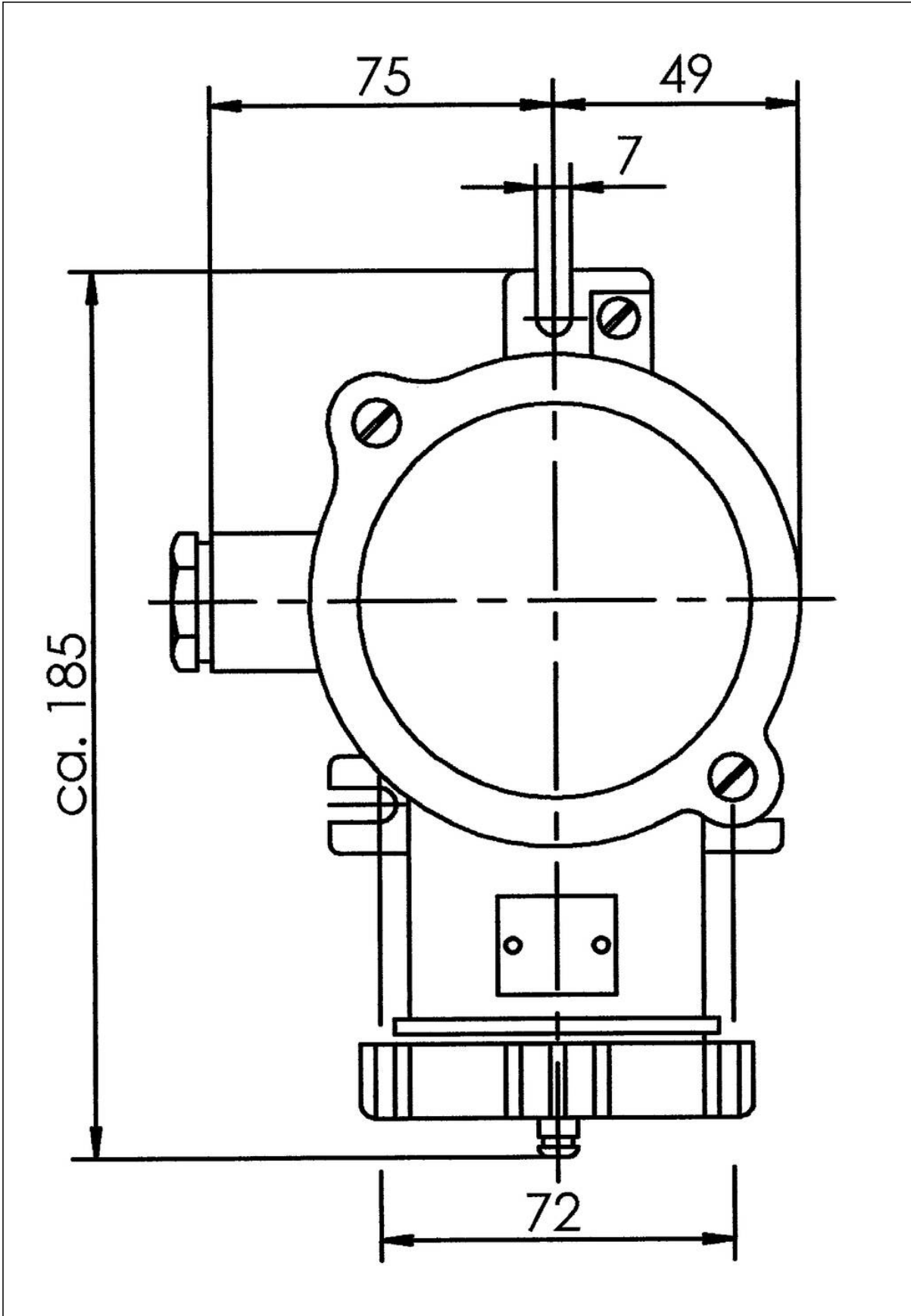
22.05.2026

Your Contact:

WISKA India Pvt. Ltd.

Mr. Omkar Ashar · Unit No.247/248,Raheja Tesla Industrial District II , Edison Bldg No.-1A,
Plot No.GEN2/1/C/PART, TTC Industrial Area, MIDC, Juinagar, Navi Mumbai 400705, India

☎ +91-22-4967-1438 · ☎ +91-22-4967-1439 · o.ashar@wiska.in · www.wiska.in

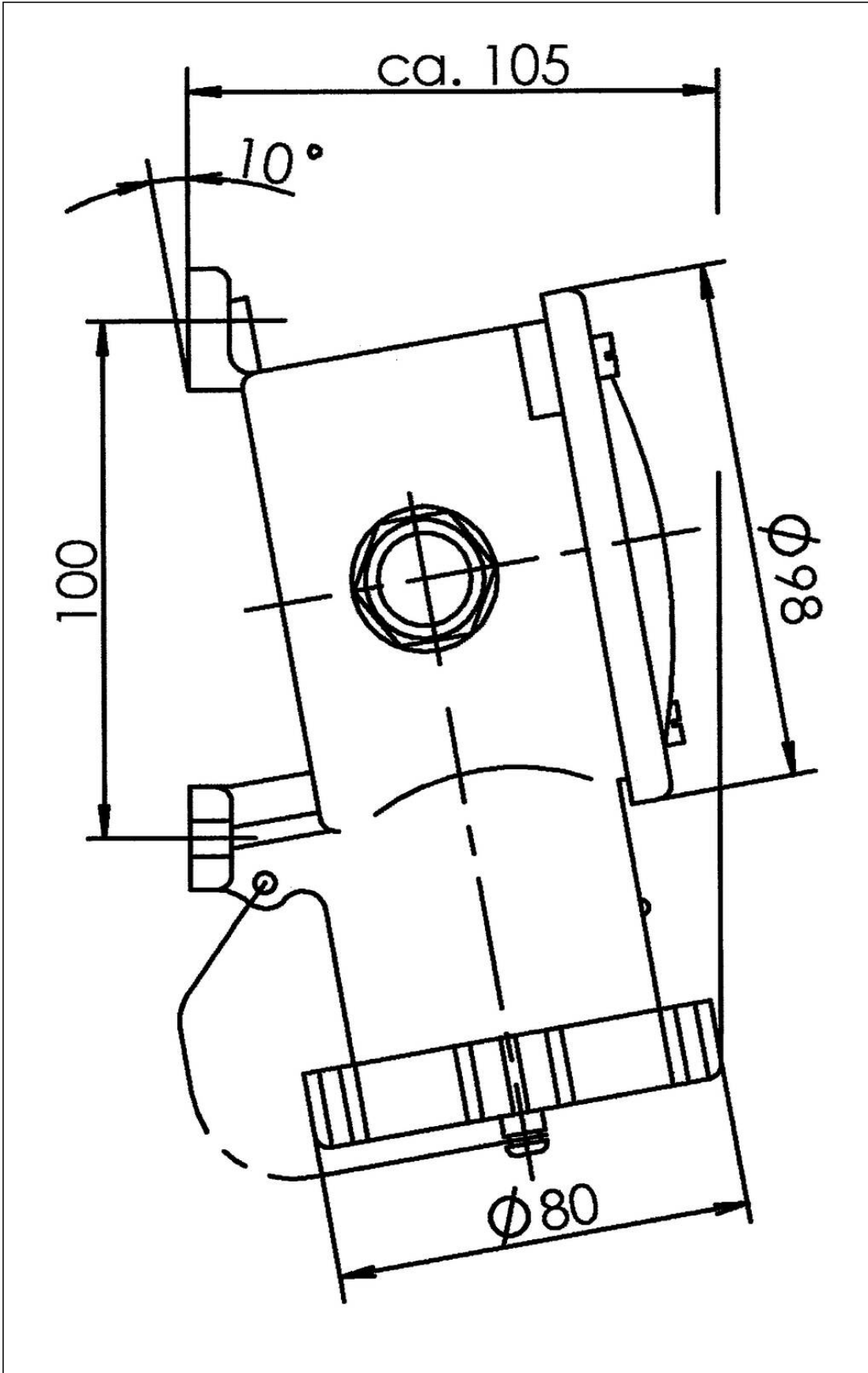


Your Contact:

WISKA India Pvt. Ltd.

Mr. Omkar Ashar · Unit No.247/248,Raheja Tesla Industrial District II , Edison Bldg No.-1A,
Plot No.GEN2/1/C/PART, TTC Industrial Area, MIDC, Juinagar, Navi Mumbai 400705, India

☎ +91-22-4967-1438 · ☎ +91-22-4967-1439 · o.ashar@wiska.in · www.wiska.in



Your Contact:

WISKA India Pvt. Ltd.

Mr. Omkar Ashar · Unit No.247/248, Raheja Tesla Industrial District II, Edison Bldg No.-1A,
Plot No.GEN2/1/C/PART, TTC Industrial Area, MIDC, Juinagar, Navi Mumbai 400705, India

☎ +91-22-4967-1438 · ☎ +91-22-4967-1439 · o.ashar@wiska.in · www.wiska.in