

Power supply, electronic	PSUX-E: 2000W outdoor
Type of cable gland	M 25 x 1,5
Material cable gland	Brass
Type of cable	non-armoured
Ø cable diameter min	8 mm
Ø cable diameter max	10,5 mm
Globe colour	Clear
Mounting	Upside
Weight	69 kg
Tariff number	94054910

Remarks:

SX450: Searchlight with xenon short arc lamp, 2000W, IP56 glass parabolic mirror 450mm
2000W

EO(220): Electronic power supply unit PSUX-E 50-60Hz operating voltage, outside IP 66/67 + heater

P08: Cabin Control, C 400/450, aluminium

Equipment:

- Toughened front glass
- Rubber sealing
- Quick fastening devices
- Ignition unit
- Stand-by heater
- Connection cable 3m
- Anti dazzle screen

Spare parts

SP-S-450 front frame + front glass	22000018
SP-SX/SH-450 Primary mirror	22000019
SP-SX/SH-450 Auxiliary reflector 100mm	22000020
SP-SX450 Blower kit for searchlight head	22000025
SP-SX450 Thermostat for blower 50°C	22000026
SP-S-Quick releases clamp (4 pcs)	22000050
SP-SW-Gasket for searchlight housing	22000116
SP-SX450 Xenon lamp Kit 2000W (from2012)	22000234
SP-S Folding bellow	22000867
SP-SX450-PSUX-E-V4 Mounting plate 2000W	22000887

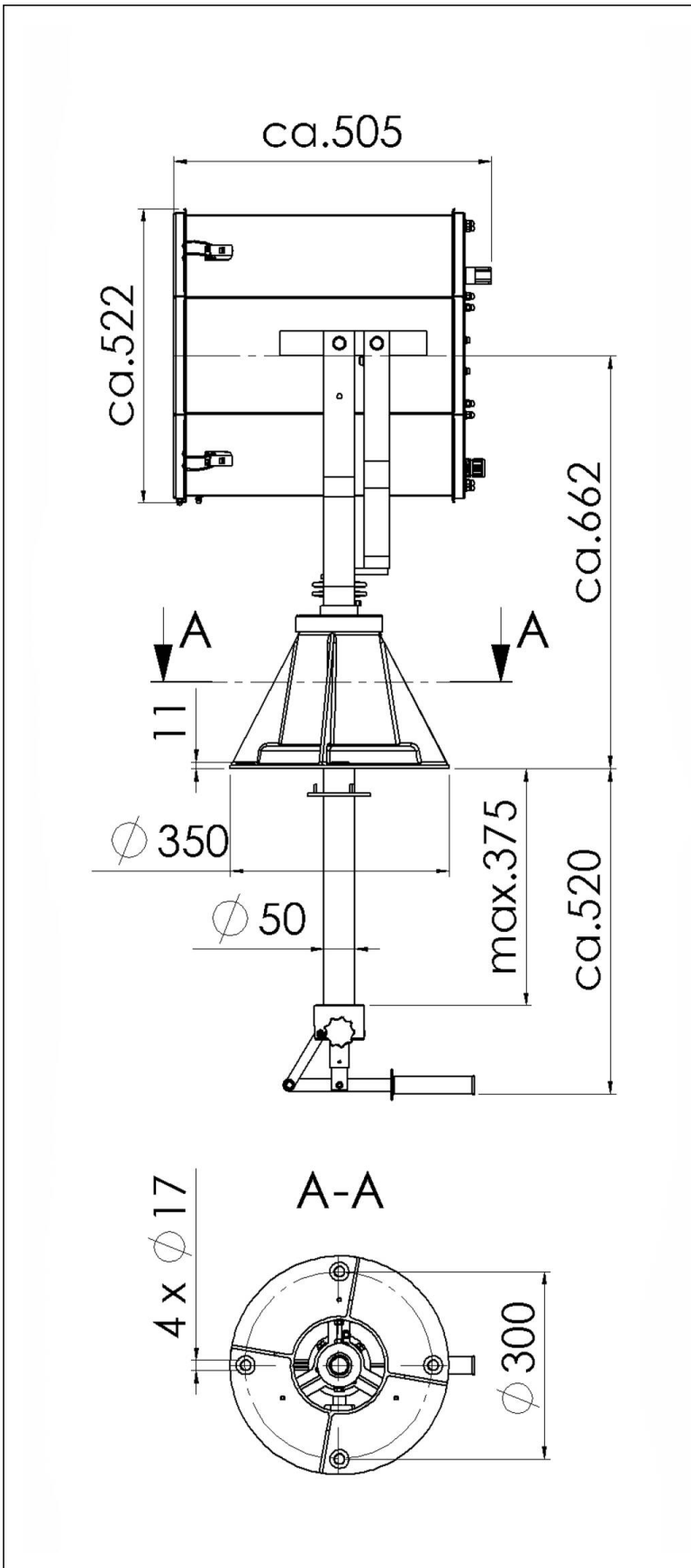
12.05.2026

Your Contact:

WISKA India Pvt. Ltd.

Mr. Omkar Ashar · Unit No.247/248,Raheja Tesla Industrial District II , Edison Bldg No.-1A,
Plot No.GEN2/1/C/PART, TTC Industrial Area, MIDC, Juinagar, Navi Mumbai 400705, India

☎ +91-22-4967-1438 · ☎ +91-22-4967-1439 · o.ashar@wiska.in · www.wiska.in



Your Contact:

WISKA India Pvt. Ltd.

Mr. Omkar Ashar · Unit No.247/248,Raheja Tesla Industrial District II , Edison Bldg No.-1A,
Plot No.GEN2/1/C/PART, TTC Industrial Area, MIDC, Juinagar, Navi Mumbai 400705, India

☎ +91-22-4967-1438 · ☎ +91-22-4967-1439 · o.ashar@wiska.in · www.wiska.in