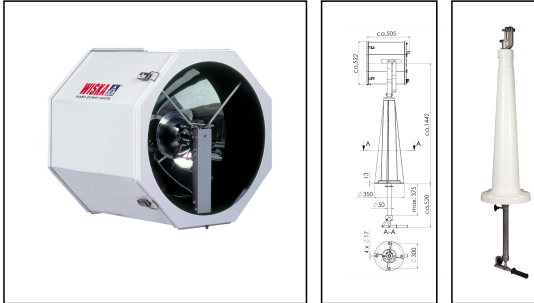


## SX450 -2000+EO(220)-P10

Searchlight with Xenon lamp Ø 450mm 2000W 230V



Products may differ in size, colour and appearance to those shown. If you require further information or customisation, please contact us directly.

<b>WISKA-Order no.</b>	10106121
<b>Type</b>	SX450 -2000+EO(220)-P10
<b>Material</b>	Stainless steel
<b>Wattage</b>	2000 W
<b>Colour</b>	RAL 9016
<b>Surface</b>	Powder coated
<b>Voltage</b>	230 V
<b>Type of Voltage</b>	AC
<b>Frequence</b>	50/60 Hz
<b>Protection class</b>	IP56
<b>Operational areas</b>	Outdoor
<b>Reflector</b>	Glass
<b>Focusing</b>	fixed focus
<b>Lightsource</b>	Xenon lamp
<b>Lightsource incl.</b>	Yes
<b>Luminous flux</b>	80000 lm
<b>Average lamp durability</b>	2400 h
<b>Light performance</b>	immediately
<b>Range (1 lux)</b>	9600 m
<b>Light intensity mio/cd</b>	92
<b>Divergence</b>	2,7°/10
<b>Temp. range min</b>	-25 °C
<b>Temp. range max</b>	45 °C
<b>Power supply, electronic</b>	PSUX-E: 2000W outdoor
<b>Type of cable gland</b>	M 25 x 1,5

Your Contact:

WISKA India Pvt. Ltd.

Mr. Omkar Ashar · Unit No.247/248,Raheja Tesla Industrial District II , Edison Bldg No.-1A,  
Plot No.GEN2/1/C/PART, TTC Industrial Area, MIDC, Juinagar, Navi Mumbai 400705, India

☎ +91-22-4967-1438 · ☎ +91-22-4967-1439 · o.ashar@wiska.in · www.wiska.in

<b>Material cable gland</b>	Brass
<b>Type of cable</b>	non-armoured
<b>Ø cable diameter min</b>	8 mm
<b>Ø cable diameter max</b>	10,5 mm
<b>Globe colour</b>	Clear
<b>Mounting</b>	Upside
<b>Weight</b>	82 kg
<b>Tariff number</b>	94054910

Remarks:

SX450: Searchlight with xenon short arc lamp, 2000W, IP56 glass parabolic mirror 450mm  
2000W

EO(220): Electronic power supply unit PSUX-E 50-60Hz operating voltage, outside IP 66/67 + heater

P10: Cabin Control with Pedestal, CP 400/450, aluminium

Equipment:

- Toughened front glass
- Rubber sealing
- Quick fastening devices
- Ignition unit
- Stand-by heater
- Connection cable 3m
- Anti dazzle screen

Spare parts

<b>SP-S-450 front frame + front glass</b>	22000018
<b>SP-SX/SH-450 Primary mirror</b>	22000019
<b>SP-SX/SH-450 Auxiliary reflector 100mm</b>	22000020
<b>SP-SX450 Blower kit for searchlight head</b>	22000025
<b>SP-SX450 Thermostat for blower 50°C</b>	22000026
<b>SP-S-Quick releases clamp (4 pcs)</b>	22000050
<b>SP-SW-Gasket for searchlight housing</b>	22000116
<b>SP-SX450 Xenon lamp Kit 2000W (from2012)</b>	22000234
<b>SP-SX450-PSUX-E-V4 Mounting plate 2000W</b>	22000887

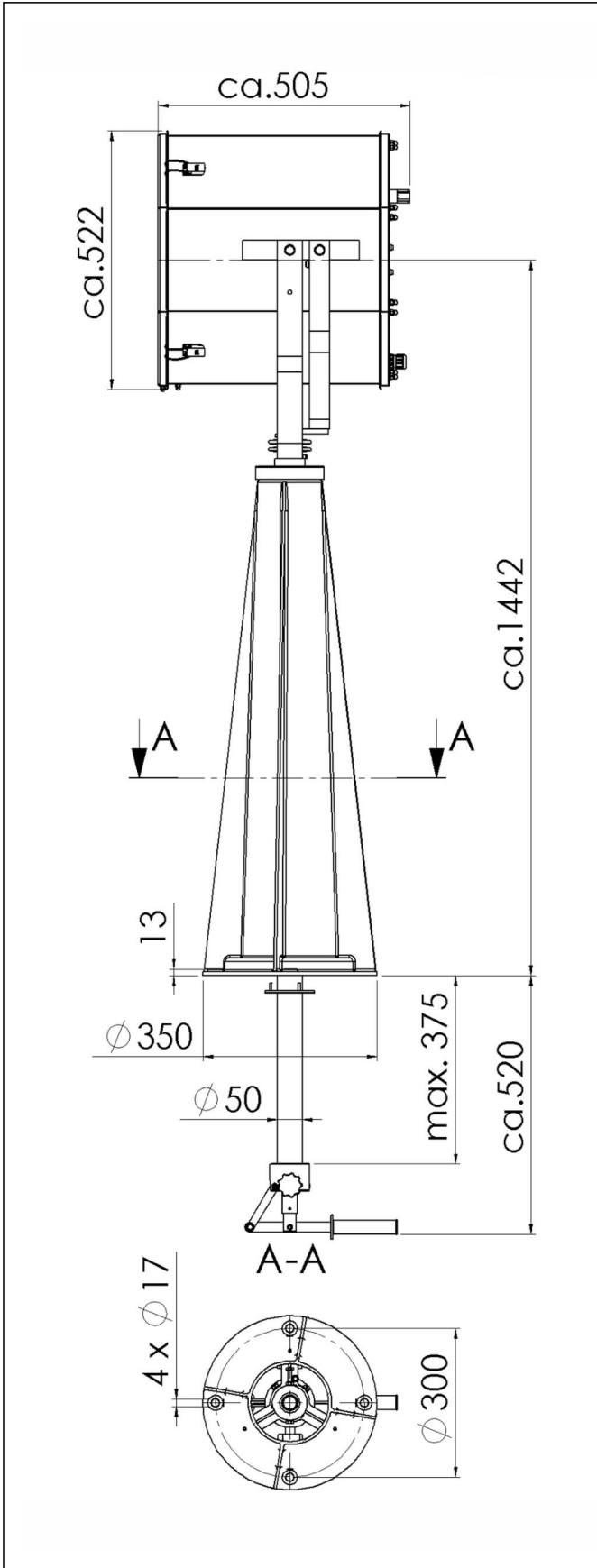
12.05.2026

Your Contact:

**WISKA India Pvt. Ltd.**

Mr. Omkar Ashar · Unit No.247/248,Raheja Tesla Industrial District II , Edison Bldg No.-1A,  
Plot No.GEN2/1/C/PART, TTC Industrial Area, MIDC, Juinagar, Navi Mumbai 400705, India

☎ +91-22-4967-1438 · ☎ +91-22-4967-1439 · o.ashar@wiska.in · www.wiska.in



Your Contact:

**WISKA India Pvt. Ltd.**

Mr. Omkar Ashar · Unit No.247/248, Raheja Tesla Industrial District II , Edison Bldg No.-1A,  
Plot No.GEN2/1/C/PART, TTC Industrial Area, MIDC, Juinagar, Navi Mumbai 400705, India

☎ +91-22-4967-1438 · ☎ +91-22-4967-1439 · o.ashar@wiska.in · www.wiska.in