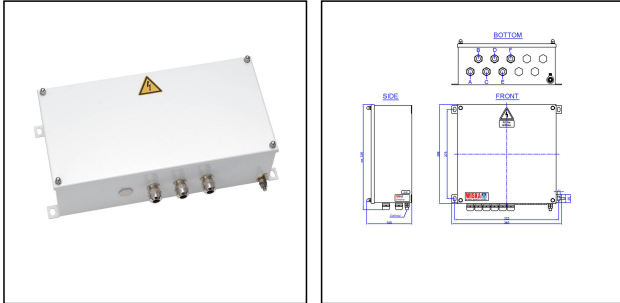


SWITCH/5P/GBit/4POE+/OUT



Products may differ in size, colour and appearance to those shown. If you require further information or customisation, please contact us directly.

Type	SWITCH/5P/GBit/4POE+/OUT
WISKA-Order no.	10106152
Material	Stainless steel
Colour	RAL 9016
Operational areas	Outdoor
for camera	IP
Mounting	Surface mounting
Temp. range min	-25 °C
Temp. range max	55 °C
Protection class	IP66 / IP67
Software	Unmanaged
PoE ports	0
PoE+ ports	4
RJ45 ports	5
SFP ports	0
FOC ports	0
Advice	Boxed
Voltage	100 V - 240 V
Type of Voltage	AC
Frequence	50/60 Hz
Wattage	136 W
Weight	7,5 kg
Tariff number	85176200

Remarks:

Your Contact:

WISKA India Pvt. Ltd.

Mr. Omkar Ashar · Unit No.247/248,Raheja Tesla Industrial District II , Edison Bldg No.-1A,
Plot No.GEN2/1/C/PART, TTC Industrial Area, MIDC, Juinagar, Navi Mumbai 400705, India

☎ +91-22-4967-1438 · ☎ +91-22-4967-1439 · o.ashar@wiska.in · www.wiska.in

Unmanaged Ethernet Switch

Ports: 5 x

1x RJ-45 1GBit

4x RJ-45 1GBit/POE+

PoE power budget: 136,80 W

Mounting: Outdoor

Operating Temperature: -25~55°C

Power: 230VAC /50~60Hz

Housing: IBS3030,



Stainless Steel, IP66/67

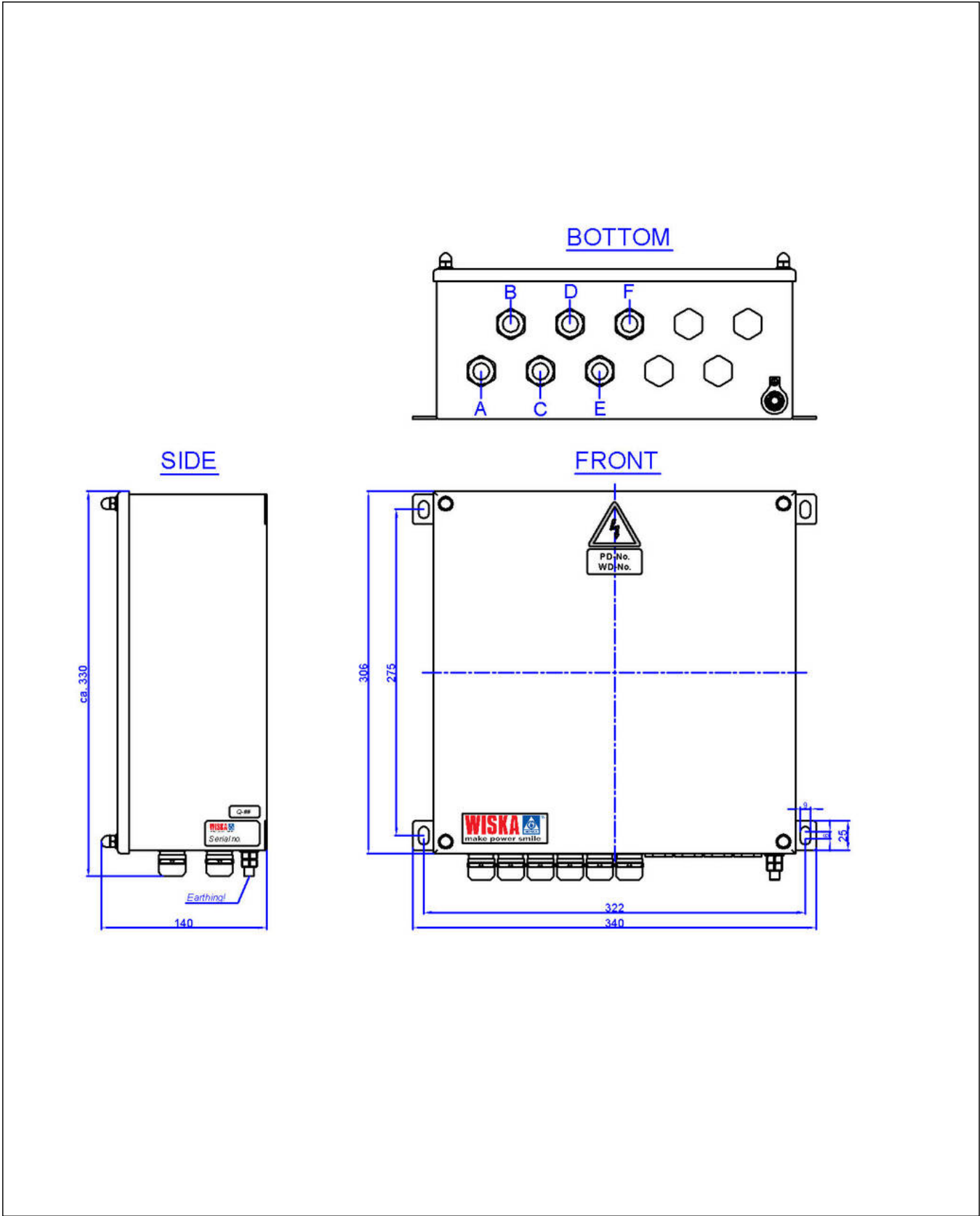
12.05.2026

Your Contact:

WISKA India Pvt. Ltd.

Mr. Omkar Ashar · Unit No.247/248,Raheja Tesla Industrial District II , Edison Bldg No.-1A,
Plot No.GEN2/1/C/PART, TTC Industrial Area, MIDC, Juinagar, Navi Mumbai 400705, India

 +91-22-4967-1438 ·  +91-22-4967-1439 · o.ashar@wiska.in · www.wiska.in



Your Contact:

WISKA India Pvt. Ltd.

Mr. Omkar Ashar · Unit No.247/248,Raheja Tesla Industrial District II , Edison Bldg No.-1A,
Plot No.GEN2/1/C/PART, TTC Industrial Area, MIDC, Juinagar, Navi Mumbai 400705, India

☎ +91-22-4967-1438 · ☎ +91-22-4967-1439 · o.ashar@wiska.in · www.wiska.in