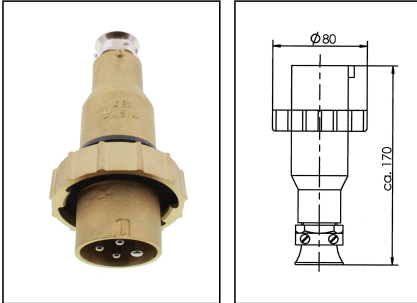


PL-16A-MS-500V-4P-11H-IP56

CEE-plug 16A 500V 11h, brass, IP56



Products may differ in size, colour and appearance to those shown. If you require further information or customisation, please contact us directly.

WISKA-Order no.	10106608
Type	PL-16A-MS-500V-4P-11H-IP56
Material	Brass
Voltage max. (V)	500 V
Current	16 A
Protection class	IP56
Temp. range min	-25 °C
Temp. range max	45 °C
Terminals/poles	3-pole + E
Clock face position	11h
plug insert	CEE
Type of cable gland	M 30 x 2,0
Ø cable diameter max	20,5 mm
Variations	on request
Tariff number	85366990

Remarks:

CEE plug 16A
brass/red brass
according to DIN EN 60309, CEE 17/2, IEC 309
3-pole + PE
clock face position protective
earth conductor 11h

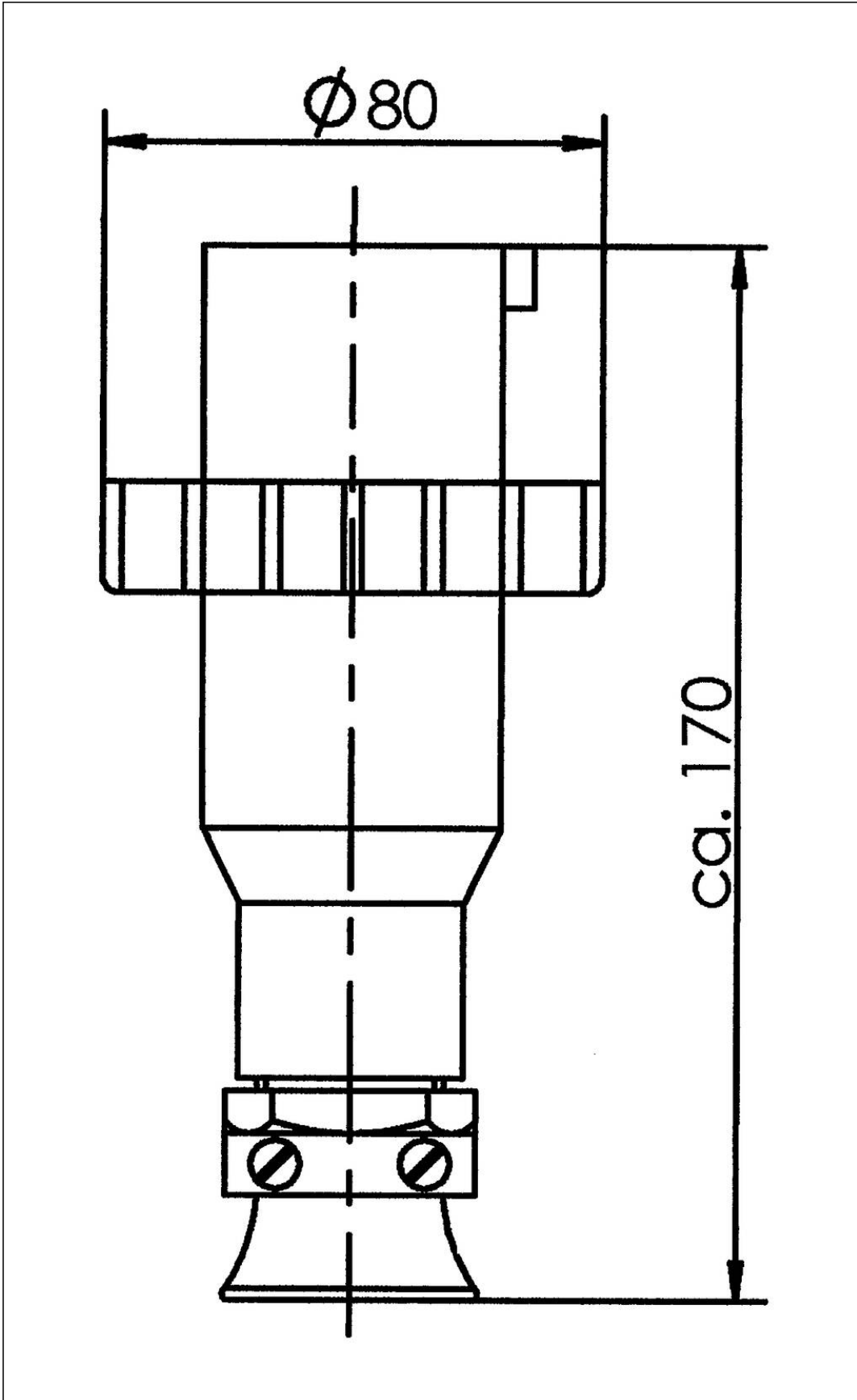
22.05.2026

Your Contact:

WISKA India Pvt. Ltd.

Mr. Omkar Ashar · Unit No.247/248,Raheja Tesla Industrial District II , Edison Bldg No.-1A,
Plot No.GEN2/1/C/PART, TTC Industrial Area, MIDC, Juinagar, Navi Mumbai 400705, India

☎ +91-22-4967-1438 · ☎ +91-22-4967-1439 · o.ashar@wiska.in · www.wiska.in



Your Contact:

WISKA India Pvt. Ltd.

Mr. Omkar Ashar · Unit No.247/248,Raheja Tesla Industrial District II , Edison Bldg No.-1A,
Plot No.GEN2/1/C/PART, TTC Industrial Area, MIDC, Juinagar, Navi Mumbai 400705, India

☎ +91-22-4967-1438 · ☎ +91-22-4967-1439 · o.ashar@wiska.in · www.wiska.in